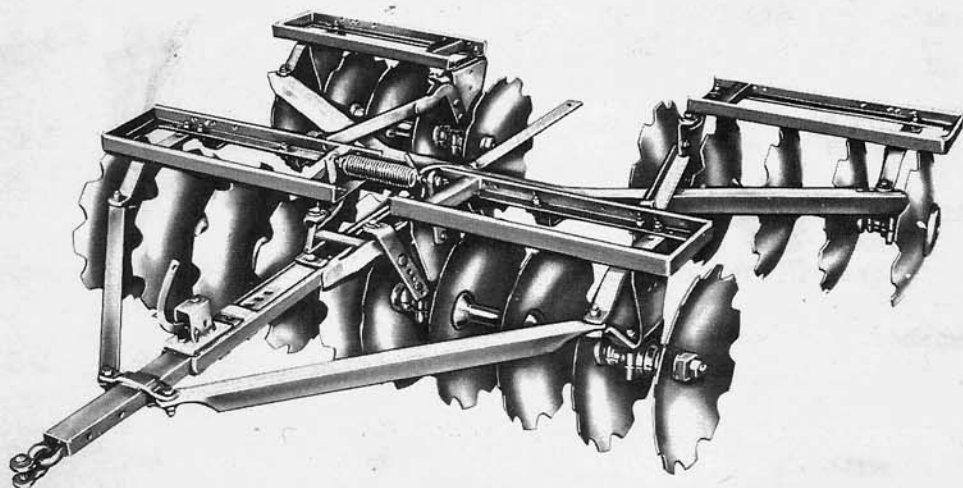


FORD

PRIOR MODEL HARROWS

1947 - 1958

MASTER PARTS BOOK



DECEMBER, 1965

TRACTOR AND IMPLEMENT OPERATIONS (U.S.)
FORD TRACTOR DIVISION FORD MOTOR COMPANY
BIRMINGHAM, MICHIGAN

Harrow

MODEL INDEX

<u>Model No.</u>	<u>Description</u>	<u>Group No.</u>
11-1	Dearborn Single Disc Harrow, Series "A" (Lift Type) 10' with 20 - 16" Discs (1947-48)	1-1,2-1,3-1
11-2	Dearborn Single Disc Harrow, Series "A" (Lift Type) 10' with 20 - 18" Discs (1947-48)	1-1,2-1,3-1
11-3	Dearborn Single Disc Harrow, Series "A" (Lift Type) 12" with 24 - 16" Discs (1948)	1-1,2-1,3-1
11-5	Dearborn Tandem Disc Harrow, Series "B" 6' with 20-16" Discs - 7-1/4" Spacing . . (1947-49)	1-2,2-2,3-2
11-6	Dearborn Tandem Disc Harrow Series "B" 7' with 24 - 16" Discs - 7-1/4" Spacing . (1947-50)	1-2,2-2,3-2
11-7	Dearborn Tandem Disc Harrow Series "B" 6' with 20 - 18" Discs - 7-1/4" Spacing . (1948-49)	1-2,2-2,3-2
11-8	Dearborn Tandem Disc Harrow, Series "B" 7' with 24 - 18" Discs - 7-1/4" Spacing . (1947-48)	1-2,2-2,3-2
11-12	Dearborn Tandem Disc Harrow, Series "C" 5' with 20 - 18" Discs - 6-1/2" Spacing . (1947-49)	1-3,2-3,3-3
11-12B	Dearborn Tandem Disc Harrow, Series "C" 5' with 20 - 18" Discs - 6-1/2" Spacing with Notched Discs on Front Gangs (1949-50)	1-3,2-3,3-3
11-13	Dearborn Tandem Disc Harrow, Series "C" 6' with 24 - 16" Discs - 6-1/2" Spacing . (1947-49)	1-3,2-3,3-3
11-14	Dearborn Tandem Disc Harrow, Series "C" 6' with 24 - 18" Discs - 6-1/2" Spacing . (1947-49)	1-3,2-3,3-3
11-15	Dearborn Tandem Disc Harrow, Series "C" 7' with 28 - 16" Discs- 6-1/2" Spacing . (1947-49)	1-3,2-3,3-3
11-34	Dearborn Reversible Bush and Bog Harrow (Lift Type) 20' Notched Disc (1948-53)	1-9,2-8
11-36	Dearborn Reversible Bush and Bog Harrow (Lift Type) 22" Notched Disc (1948-53)	1-9,2-8
11-59	Dearborn Tandem Disc Harrow, Series "D" (Lift Type) 6' with 20 - 16" Discs (1948-50)	1-4,2-4,3-3
11-60	Dearborn Tandem Disc Harrow, Series "D" (Lift Type) 6' with 20 - 18" Discs (1948-50)	1-4,2-4,3-3

Harrowos

MODEL INDEX (Cont'd)

<u>Model No.</u>	<u>Description</u>	<u>Group No.</u>
11-60B	Dearborn Tandem Disc Harrow, Series "D" (Lift Type) 6' with 20 - 18" Discs with Notched Discs on Front Gangs (1949-50)	1-4,2-4,3-3
11-61	Dearborn Tandem Disc Harrow, Series "D" (Lift Type) 7' with 24 - 16" Discs (1948-50)	1-4,2-4,3-3
11-62	Dearborn Tandem Disc Harrow, Series "D" (Lift Type) 7' with 24 - 18" Discs (1948-49)	1-4,2-4,3-3
11-63	Dearborn Tandem Disc Harrow, (Lift Type) 6' with 20 - 16" Discs (1948)	1-4,2-4,3-3
11-85	Dearborn Tandem Disc Harrow, Series "E" (Lift Type) 6' with 20 - 16" Discs - 7-1/4" Spacing - Less Scrapers (1950-52)	1-5,2-5A,3-4
11-86	Dearborn Tandem Disc Harrow, Series "E" (Lift Type) 6' with 20 - 18" Discs - 7-1/4" Spacing - Less Scrapers (1950-52)	1-5,2-5A,3-4
11-87	Dearborn Tandem Disc Harrow, Series "E" (Lift Type) 7' with 24 - 16" Discs - 7-1/4" Spacing - Less Scrapers (1950-52)	1-5,2-5A,3-4
11-88	Ford Tandem Disc Harrow, Series "F", with Ford Tractor Hitch, 6' with 20 - 16" Discs - Less Scrapers (1950-58)	1-6,2-6,3-4
11-89	Ford Tandem Disc Harrow, Series "F", with Ford Tractor Hitch, 6' with 20 - 18" Discs - Less Scrapers (1950-58)	1-6,2-6,3-4
11-90	Ford Tandem Disc Harrow, Series "F", with Ford Tractor Hitch, 7' with 24 - 16" Discs - Less Scrapers (1950-58)	1-6,2-6,3-4
11-93	Dearborn Tandem Disc Harrow, Series "E" (Lift Type) 6' with 20 - 18" Discs - 7-1/4" Spacing with Notched Discs on Front Gangs - Less Scrapers (1950-52)	1-5,2-5A,3-4
11-98	Dearborn Tandem Disc Harrow, Series "E" (Lift Type) 5' with 16 - 18" Discs - 7-1/4" Spacing - Less Scrapers (1950-52)	1-5,2-5A,3-4

Harrow

MODEL INDEX (Cont'd)

<u>Model No.</u>	<u>Description</u>	<u>Group No.</u>
11-99	Dearborn Tandem Disc Harrow, Series "E" (Lift Type) 5' with 16 - 18" Discs - 7-1/4" Spacing with Notched Discs on Front Gangs - Less Scrapers . . .(1950-52)	1-5,2-5A,3-4
11-102	Dearborn Tandem Disc Harrow, Series "E" (Lift Type) 5' with 16 - 20" Discs - 7-1/4" Spacing with Notched Discs on Front Gangs - Less Scrapers . . .(1950-52)	1-5,2-5A,3-4
11-105	Ford Tandem Disc Harrow, Series "F", with Ford Tractor Hitch, 6' with 20 - 18" Discs - Less Scrapers with Notched Discs on Front Gangs(1950-58)	1-6,2-6,3-4
11-108	Scraper Set for 5' Harrow (For use on Series "E" & "F"(1950-58)	3-4
11-112	Ford Tandem Disc Harrow, Series "F" with Universal Hitch, 6' with 20 - 16" Discs - Less Scrapers(1950-58)	1-6,2-6,3-4
11-113	Ford Tandem Disc Harrow, Series "F" with Universal Hitch, 6' with 20 - 18" Discs - Less Scrapers(1950-58)	1-6,2-6,3-4
11-114	Ford Tandem Disc Harrow, Series "F" with Universal Hitch, 7' with 24 - 16" Discs - Less Scrapers(1950-58)	1-6,2-6,3-4
11-116	Ford Tandem Disc Harrow, Series "F" with Universal Hitch, 6' with 20 - 18" Discs, - Less Scrapers with Notched Discs on Front Gangs(1950-58)	1-6,2-6,3-4
11-118	Harrow Hitch (Universal) (Series "F")(1950-58)	1-6
L11-120	Dearborn Bush and Bog Harrow (Lift Type) 8 - 20" Notched Discs - Less Scrapers . .(1951)	1-10A,2-9A
L11-122	Dearborn Bush and Bog Harrow (Lift Type) 8 - 22" Notched Discs - Less Scrapers . .(1951)	1-10A,2-9A
L11-124	Dearborn Bush and Bog Harrow (Lift Type) 8 - 24" Notched Discs - Less Scrapers . .(1951)	1-10A,2-9A
11-125	Dearborn Bush and Bog Harrow (Lift Type) 8 - 20" Notched Discs - Less Scrapers . .(1951-53)	1-10A,2-10
11-126	Dearborn Bush and Bog Harrow (Lift Type) 8 - 22" Notched Discs - Less Scrapers . .(1951-53)	1-10A,2-10

Harrow

MODEL INDEX (Cont'd)

<u>Model No.</u>	<u>Description</u>	<u>Group No.</u>
11-127	Dearborn Bush and Bog Harrow (Lift Type) 8 - 24" Notched Discs - Less Scrapers . . . (1951-53)	1-10A,2-10
11-132	Ford Tandem Disc Harrow, Series "E" (Lift Type) 5' with 16-18" Discs - 7-1/4" Spacing with Angle Adjustment - Less Scrapers (1952-58)	1-5,2-5,3-4
11-133	Ford Tandem Disc Harrow, Series "E" (Lift Type) 5' with 16-18" Discs - 7-1/4" Spacing with Notched Discs on Front Gangs and Angle Adjust- ment - Less Scrapers (1952-58)	1-5,2-5,3-4
11-134	Ford Tandem Disc Harrow, Series "E" (Lift Type) 5' with 16-20" Discs - 7-1/4" Spacing with Notched Discs on Front Gangs and Angle Adjust- ment - Less Scrapers (1952-58)	1-5,2-5,3-4
11-135	Dearborn Fold-Over Disc Harrow (Lift Type) Front Gangs w/8-20" Notched Discs - 9" Spacing Rr Gangs w/10-18" Notched Discs - 7-1/4" Spacing (1952-53)	1-11A,2-6, 2-9A,3-5
11-136	Scraper Set (For use on Models 11-135 & 11-139) (1953-55)	3-5
11-139	Dearborn Fold-Over Disc Harrow (Lift Type) Front Gangs w/8-20" Notched Discs - 9" Spacing Rr Gangs w/10-18" Notched Discs, 7-1/4" Spacing (1953-55)	1-11A,2-6, 2-9A,3-5
11-140	Dearborn Reversible Bush and Bog Harrow (Lift Type) with 8-20" Notched Discs (1953-57)	1-9,2-8
11-141	Dearborn Reversible Bush and Bog Harrow (Lift Type) with 8-22" Notched Discs (1953-57)	1-9,2-8
11-142	Dearborn Reversible Bush and Bog Harrow (Lift Type) with 8-24" Notched Discs (1953-57)	1-9,2-8
11-143	Dearborn Adjusto-Flex Tandem Disc Harrow, Series "G" (Lift Type) 6' with 20-16" Discs - 7-1/4" Spacing Less Scrapers (1954-55)	1-7,2-5A,3-3
11-144	Dearborn Adjusto-Flex Tandem Disc Harrow, Series "G" (Lift Type) 6' with 20-18" Discs - 7-1/4" Spacing Less Scrapers (1954-55)	1-7,2-5A,3-3

Harrow

MODEL INDEX (Cont'd)

<u>Model No.</u>	<u>Description</u>	<u>Group No.</u>
11-145	Dearborn Adjusto-Flex Tandem Disc Harrow, Series "G" (Lift Type) 6' with 20-18" Discs - 7-1/4" Spacing - with Notched Discs on Front Gangs - Less Scrapers (1954-55)	1-7,2-5A,3-3
11-146	Dearborn Adjusto-Flex Tandem Disc Harrow, Series "G" (Lift Type) 7' with 24-16" Discs - 7-1/4" Spacing - Less Scrapers (1954-55)	1-7,2-5A,3-3
11-147	Dearborn Adjusto-Flex Tandem Disc Harrow, Series "G" (Lift Type) 7' with 24-18" Discs - 7-1/4" Spacing - Less Scrapers 1954-55)	1-7,2-5A,3-3
11-148	Dearborn Adjusto-Flex Tandem Disc Harrow, Series "G" (Lift Type) 7' with 24-18" Discs - 7-1/4" Spacing - with Notched Discs on Front Gangs - Less Scrapers (1954-55)	1-7,2-5A,3-3
11-149	Scraper Set for 6' Harrows (Series "G") (1954-55)	3-3
11-150	Scraper Set for 7' Harrows (Series "G") (1954-55)	3-3
11-151	Dearborn Fold-Over Disc Harrow (Lift Type) with 16-20" Notched Discs - 9" Spacing (1954-55)	1-11A,2-9A,3-5
11-152	Scraper Set (For Use on Model 11-151) (1954-55)	3-5

DEARBORN WHEEL TYPE TANDEM DISC HARROWS, SERIES "H" (1954-56)

<u>Model No.</u>	<u>Description</u>	<u>Group No.</u>
11-153	9' with 16" Plain Discs	1-8,2-7,3-3
11-154	9' with 18" Plain Discs	1-8,2-7,3-3
11-155	9' with 20" Plain Discs	1-8,2-7,3-3
11-156	9' with 18" Discs - Notched Discs on Front Gangs	1-8,2-7,3-3
11-157	9' with 20" Discs - Notched Discs on Front Gangs	1-8,2-7,3-3
11-158	10' with 16" Plain Discs	1-8,2-7,3-3
11-159	10' with 18" Plain Discs	1-8,2-7,3-3
11-160	10' with 20" Plain Discs	1-8,2-7,3-3
11-161	10' with 18" Discs - Notched Discs on Front Gangs	1-8,2-7,3-3
11-162	10' with 20" Discs - Notched Discs on Front Gangs	1-8,2-7,3-3
11-163	11' with 16" Plain Discs	1-8,2-7,3-3
11-164	11' with 18" Plain Discs	1-8,2-7,3-3
11-165	11' with 20" Plain Discs	1-8,2-7,3-3
11-166	11' with 18" Discs - Notched Discs on Front Gangs	1-8,2-7,3-3
11-167	11' with 20" Discs - Notched Discs on Front Gangs	1-8,2-7,3-3

Harrowos

MODEL INDEX (Cont'd)

DEARBORN FOLD-OVER DISC HARROWS-LIFT TYPE-(1955-57)

<u>Model No.</u>	<u>Description</u>	<u>Group No.</u>
11-212	67, 6-1/4 Ft. (Frt - 8-20" Discs & Rr - 10-18" Discs)	1-11B,2-9B
11-213	67, 6-1/4 Ft. (Frt & Rr 16-20" Discs)	1-11B,2-9B
11-214	89, 7-1/2 Ft. (Frt - 10-20" Discs & Rr 12-18" Discs)	1-11B,2-9B
11-215	FMD,7-1/2 Ft. (Frt - 10-20" Discs & Rr 12-18" Discs)	1-11B,2-9B
11-216	FMD,7-1/2 Ft. (Frt & Rr 20-20" Discs)	1-11B,2-9B
11-217	Scraper Set (For use W/Model 11-212)	3-6
11-218	Scraper Set (For use W/Model 11-213)	3-6
11-219	Scraper Set (For use W/Models 11-214, 215)	3-6
11-220	Scraper Set (For use W.Model 11-216)	3-6

DEARBORN BUSH AND BOG HARROWS LIFT TYPE (1955-57)

11-221	7-1/2 Ft., W/10 - 20" Notched Discs, 9" Spacing	1-10B,2-9C
11-222	7-1/2 Ft., W/10 - 22" Notched Discs, 9" Spacing	1-10B,2-9C
11-223	7-1/2 Ft., W/10 - 24" Notched Discs, 9" Spacing	1-10B,2-9C

ACCESSORIES

	Harrow Hitch (Ford Tractor)(Series "F")	(1950-63)	1-6A
	Hydraulic Lift Jack (Series "H")	(1954-63)	1-8
110329	Ratcheting Lift Jack (Series "H")	(1963-)	1-8

Harrow

GROUP INDEX (Cont'd)

<u>Group No.</u>	<u>Name</u>	<u>Page No.</u>
1-1	Frame Assembly - Series "A"	21
1-2A	Hitch & Lever Angling Assemblies-Series "B"	23
1-2B	Gang Frame Assemblies - Series "B"	25
1-3A	Pull Frame Assembly - Series "C"	27
1-3B	Weight Box Assemblies - Series "C"	28
1-3C	Snubber Assemblies - Series "C"	31
1-4A	Lift Frame Assembly - Series "D"	33
1-4B	Gang Frame Assembly - Series "D"	34
1-5	Frame Assembly - Series "E"	37
1-6A	Pull Frame & Hitch Assemblies - Series "F"	39
1-6B	Weight Box Assemblies - Series "F"	43
1-7	Frame Assembly - Series "G"	45
1-8	Frame & Wheel Assembly - Series "H"	49
1-9	Frame Assembly - Models 11-34, 36, 140, 141 & 142	51
1-10A	Frame Assembly - Models 111-120, 122, 124, 11-125 126 & 127	52
1-10B	Frame Assembly - Models 11-221, 222 & 223	53
1-11A	Frame Assembly - Models 11-135, 139 & 151	54
1-11B	Frame Assembly - Models 11-212 thru 216	55
2-1	Disc & Bearing Assembly (Series "A")	58
2-2	Disc & Bearing Assembly (Series "B")	59
2-3	Disc & Bearing Assembly (Series "C")	60
2-4	Disc & Bearing Assembly (Series "D")	62
2-5A	Disc & Bearing Assembly (Series "E" and "G")	63
2-5B	Disc & Bearing Assembly - New Style (Series "E")	64
2-6	Disc & Bearing Assembly (Series "F") (Rear Gangs for 11-135 & 11-139)	65
2-7	Disc & Bearing Assembly (Series "H")	66
2-8	Disc & Bearing Assembly (Reversible Bush and Bog Models 11-34, 36, 140, 141, 142)	67
2-9A	Disc & Bearing Assembly (11-151, 111-120, 122, 124) (Front Gangs for 11-135, 139)	68
2-9B	Disc & Bearing Assembly (11-212 thru 216)	69
2-9C	Disc & Bearing Assembly (11-221 thru 223)	70
2-10	Disc & Bearing Assembly (11-125, 126, 127)	71
3-1	Scraper Assembly (Series "A")	72
3-2	Scraper Assembly (Series "B")	73
3-3	Scraper Assemblies (Series "C", "D", "G", "H")	74
3-4	Scraper Sets (11-108) (For Use on Series "E" & "F")	75
3-5	Scraper Sets (11-136 & 151) (For Use on Models 11-135, 139 & 151)	76
3-6	Scraper Sets (11-217 thru 220) (For Use on Models 11-212 thru 216)	77
4	Disc Reference Chart	78
-	Numerical Index	79

The abbreviation "NLS" used throughout this Catalog stands for "No Longer Serviced".

Harrow

SERIES "A"

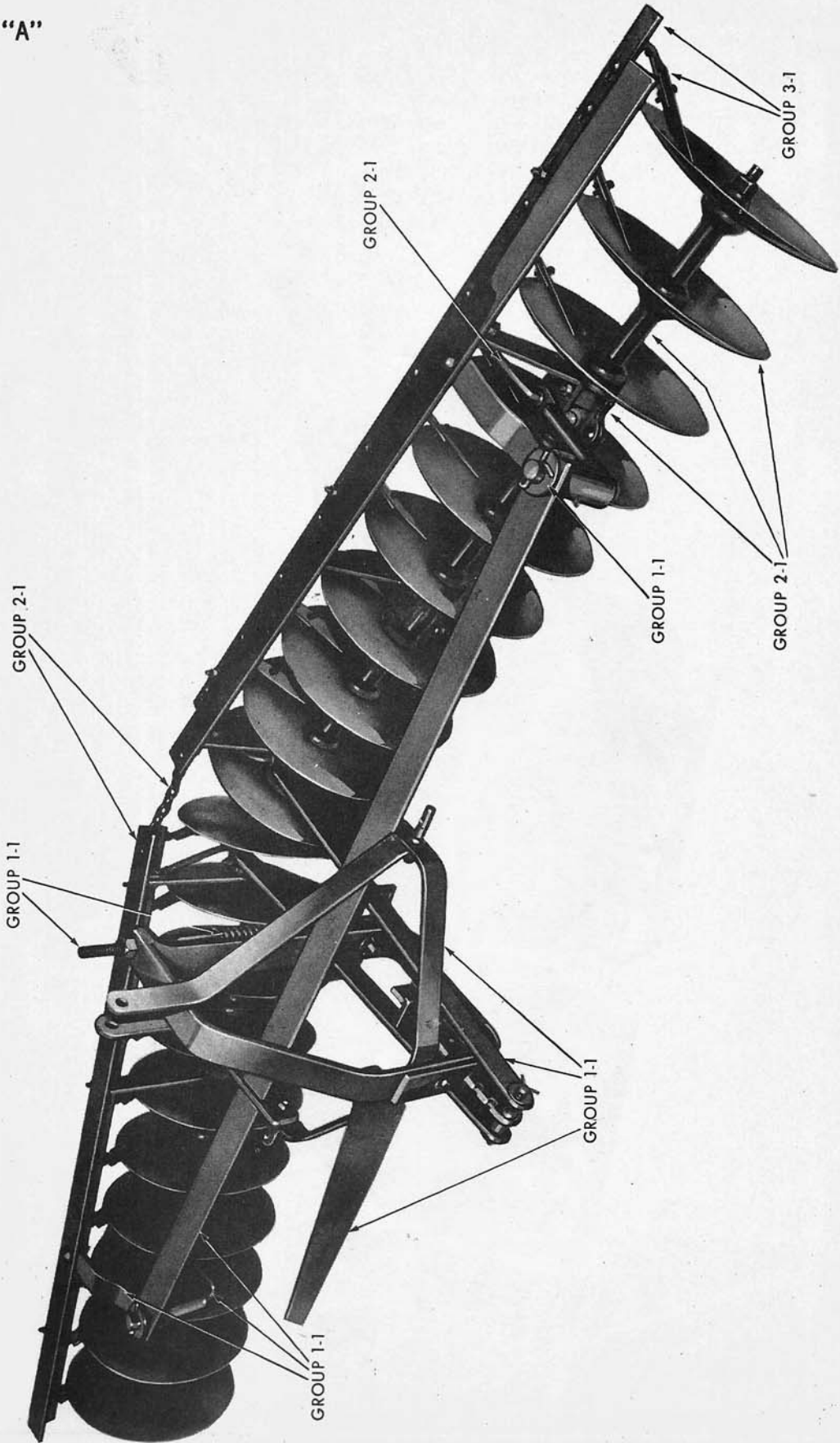


Figure 1 - Dearborn Single Disc Harrow, Series "A" (Lift Type)

Harrow

SERIES "B"

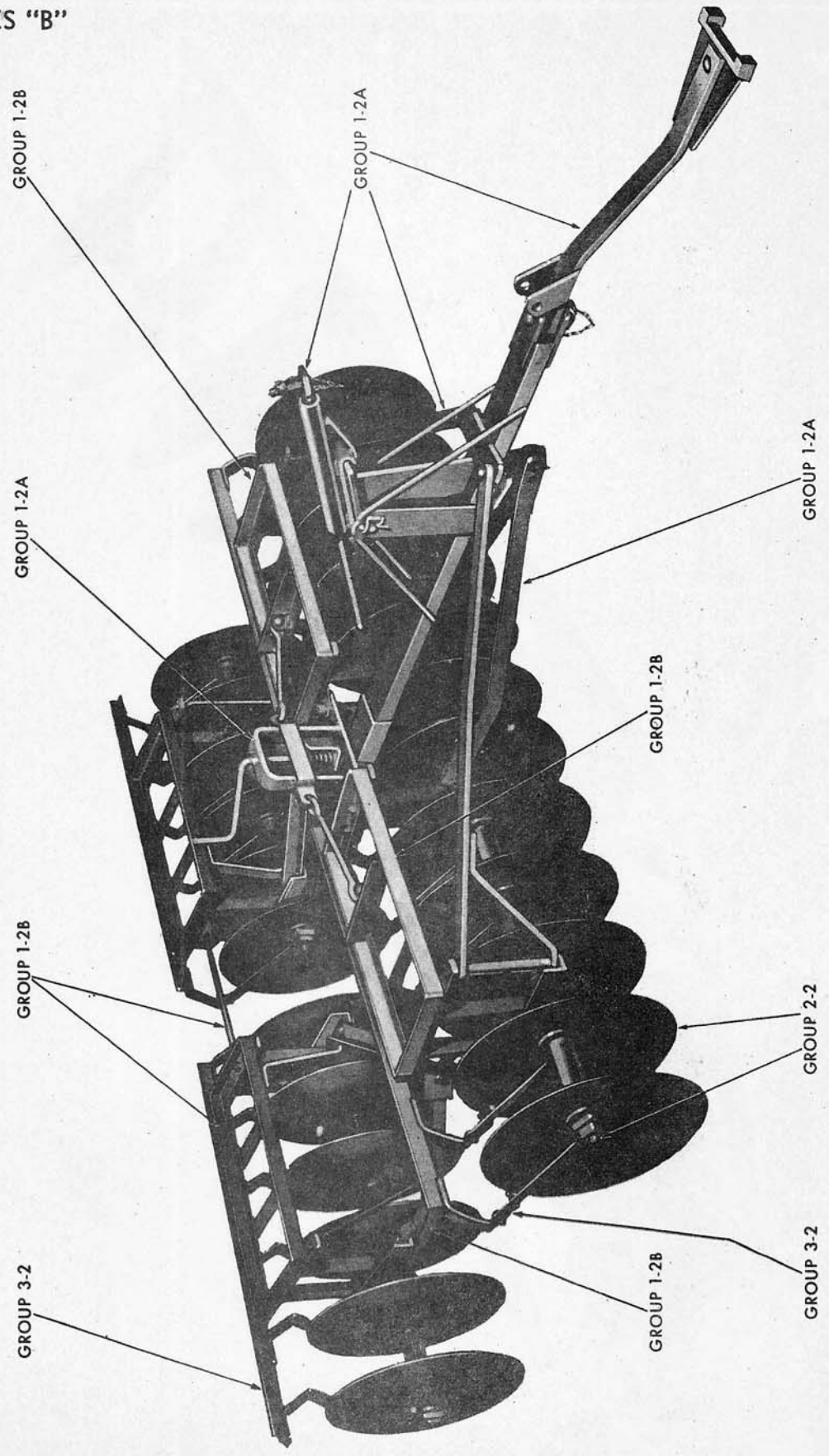


Figure 2 - Dearborn Tandem Disc Harrow, Series "B"

Harrow

SERIES "C"

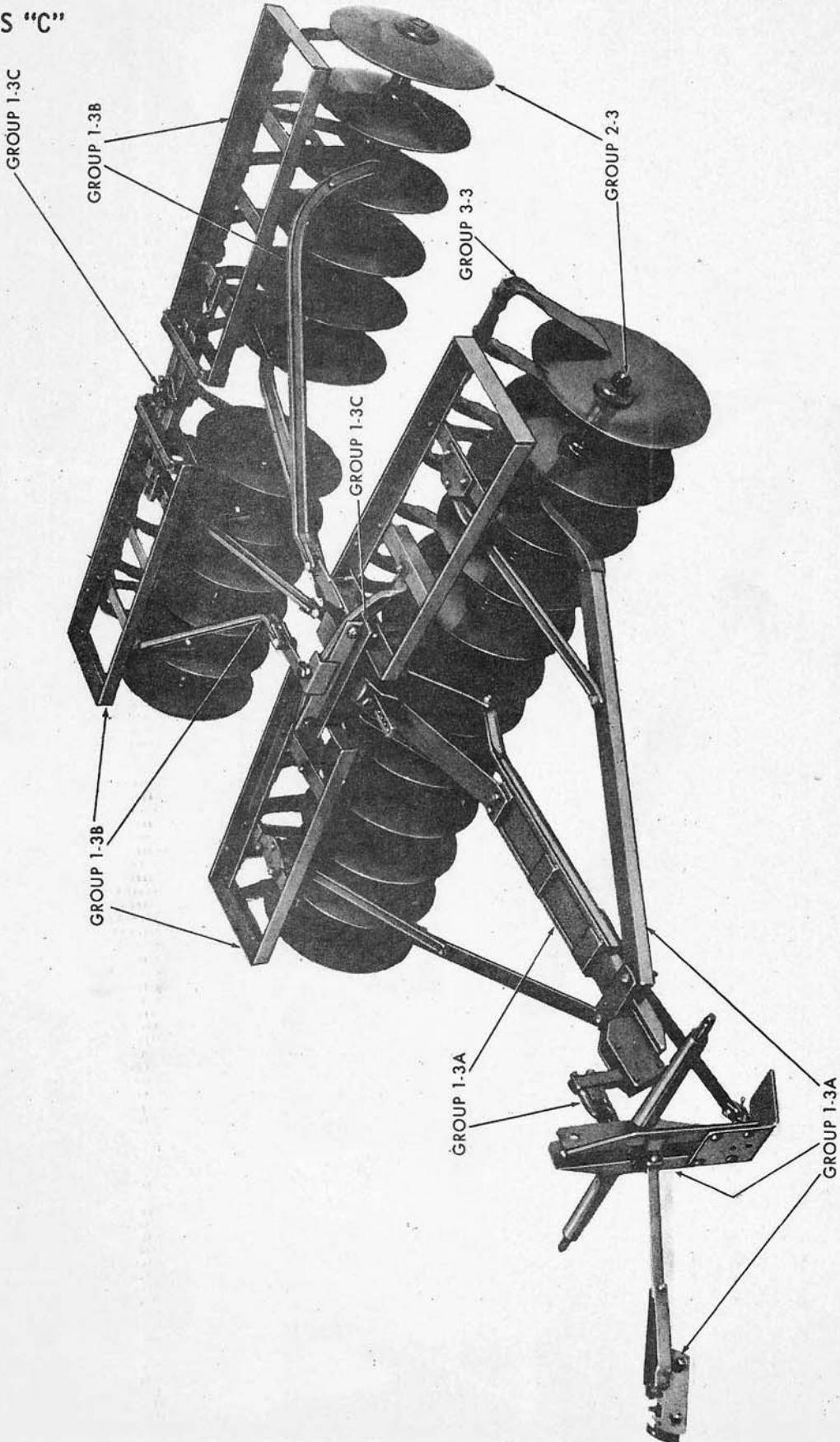


Figure 3 - Dearborn Tandem Disc Harrow, Series "C"

Harrow

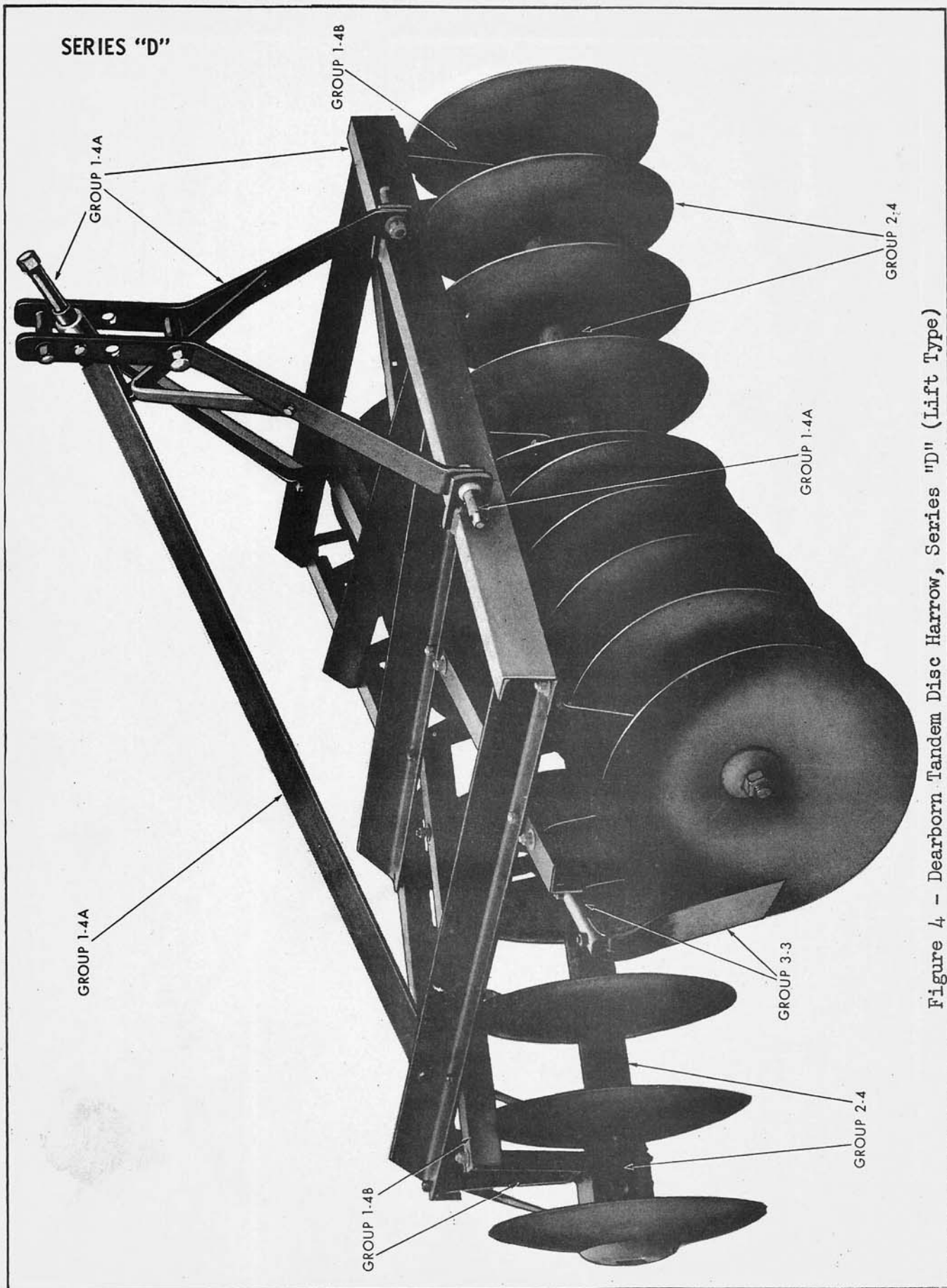


Figure 4 - Dearborn Tandem Disc Harrow, Series "D" (Lift Type)

Harrow

SERIES "E"

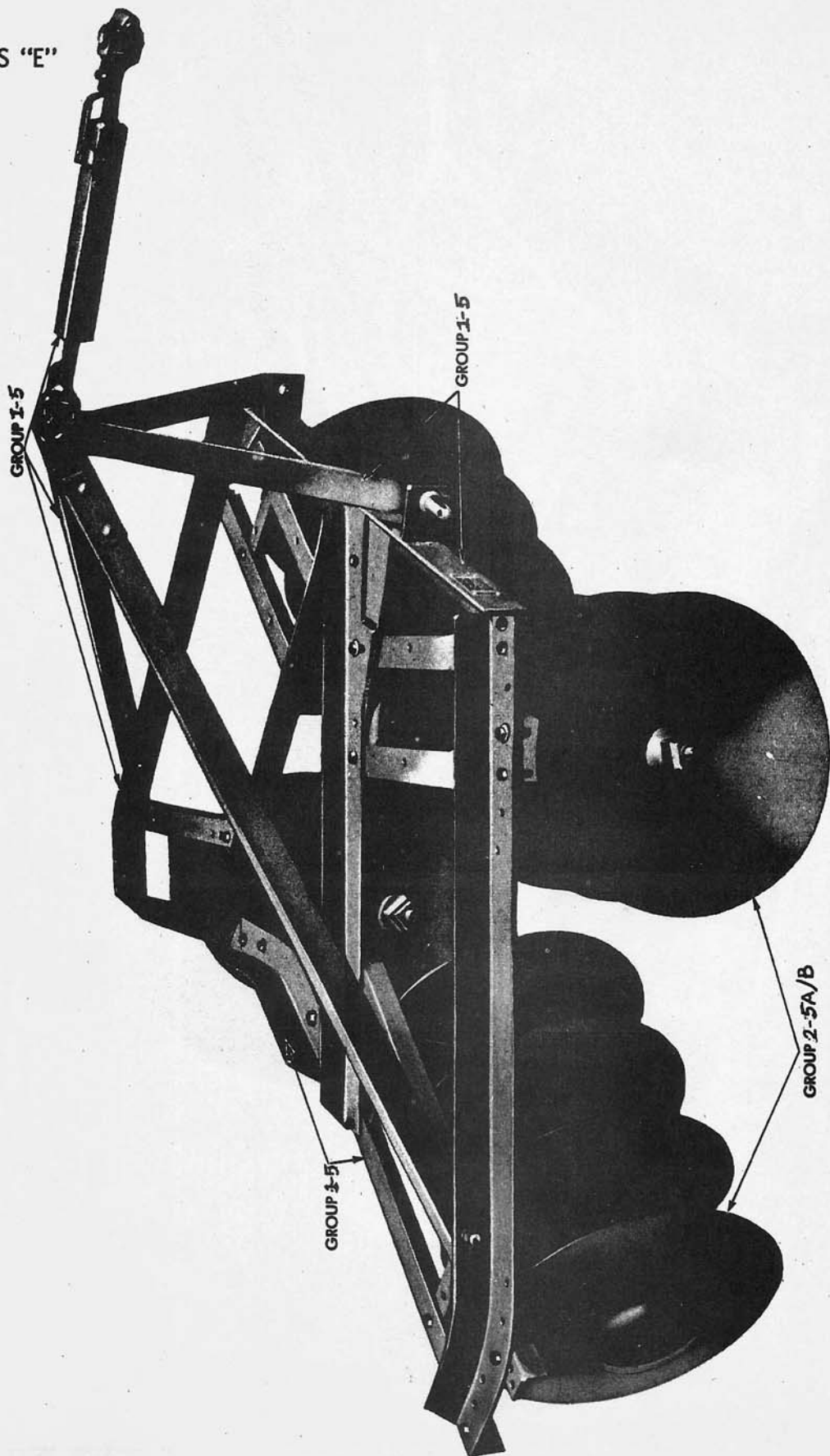


Figure 5 - Ford Tandem Disc Harrow, Series "E" (Lift Type)

Harrow

SERIES "F"

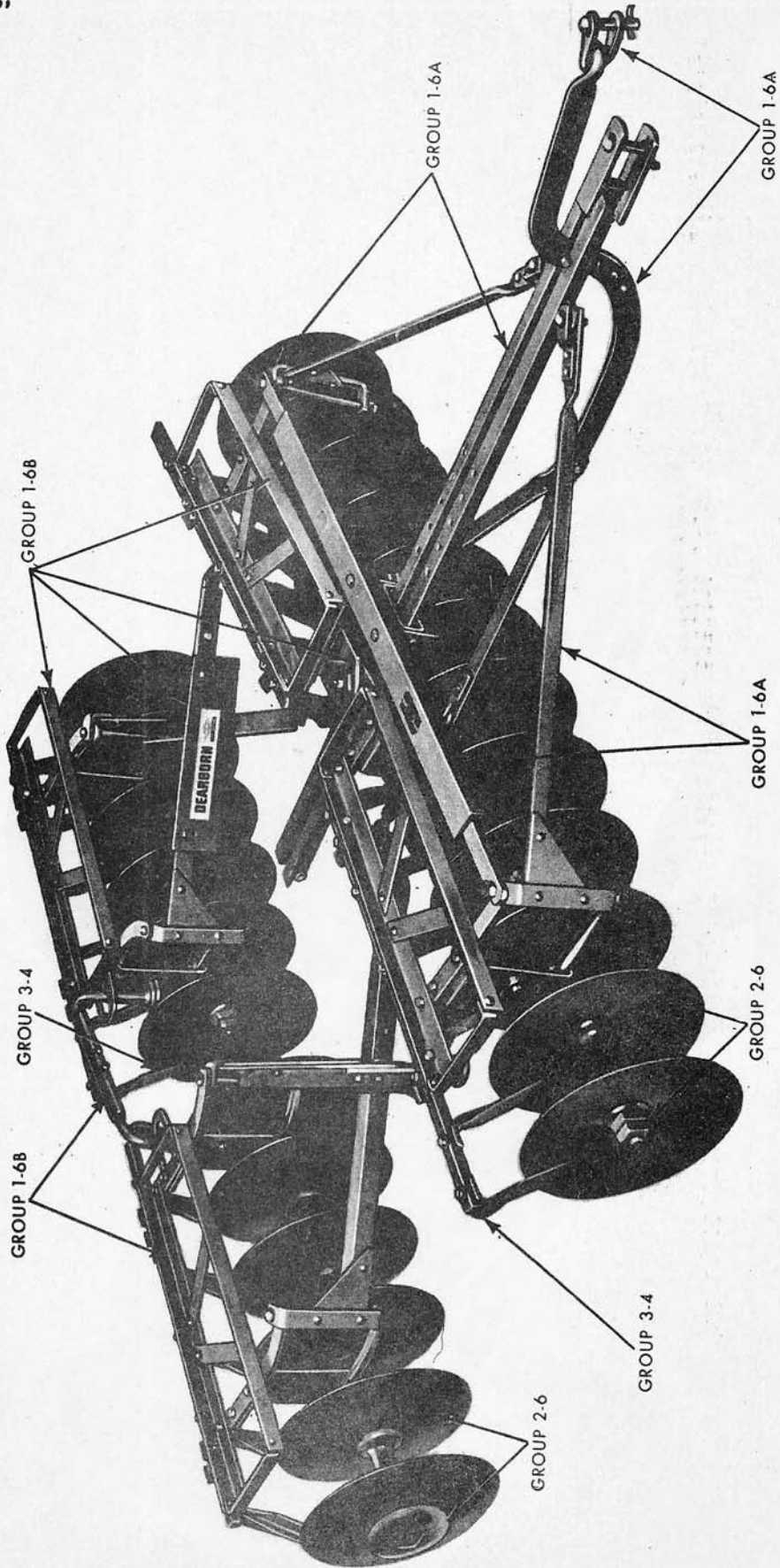


Figure 6 - Ford Tandem Disc Harrow, Series "F" (Pull Type)

Harrow

SERIES "G"

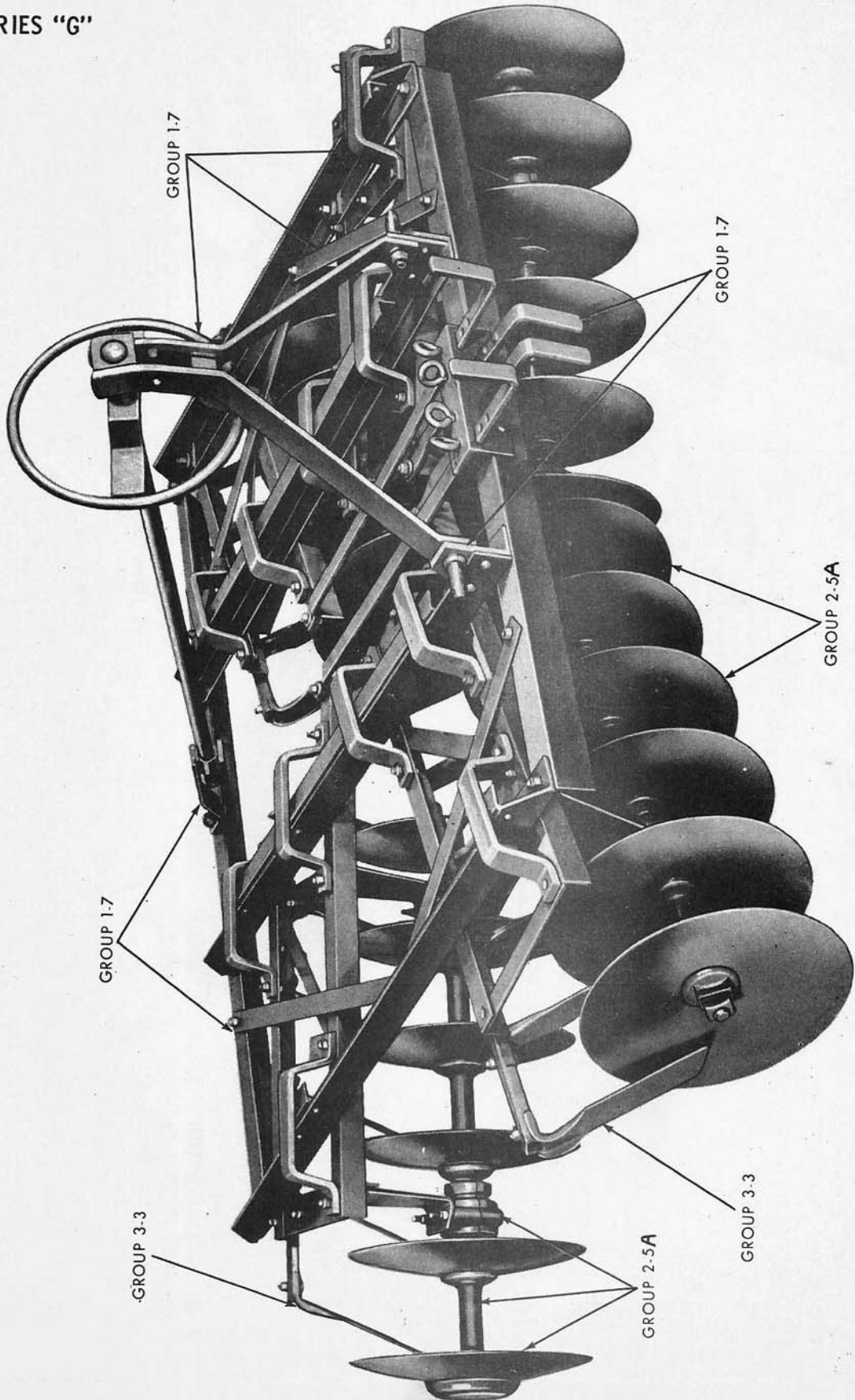


Figure 7 - Dearborn Adjusto-Flex Tandem Disc Harrow, Series "G" (Lift Type)

Harrow

SERIES "H"

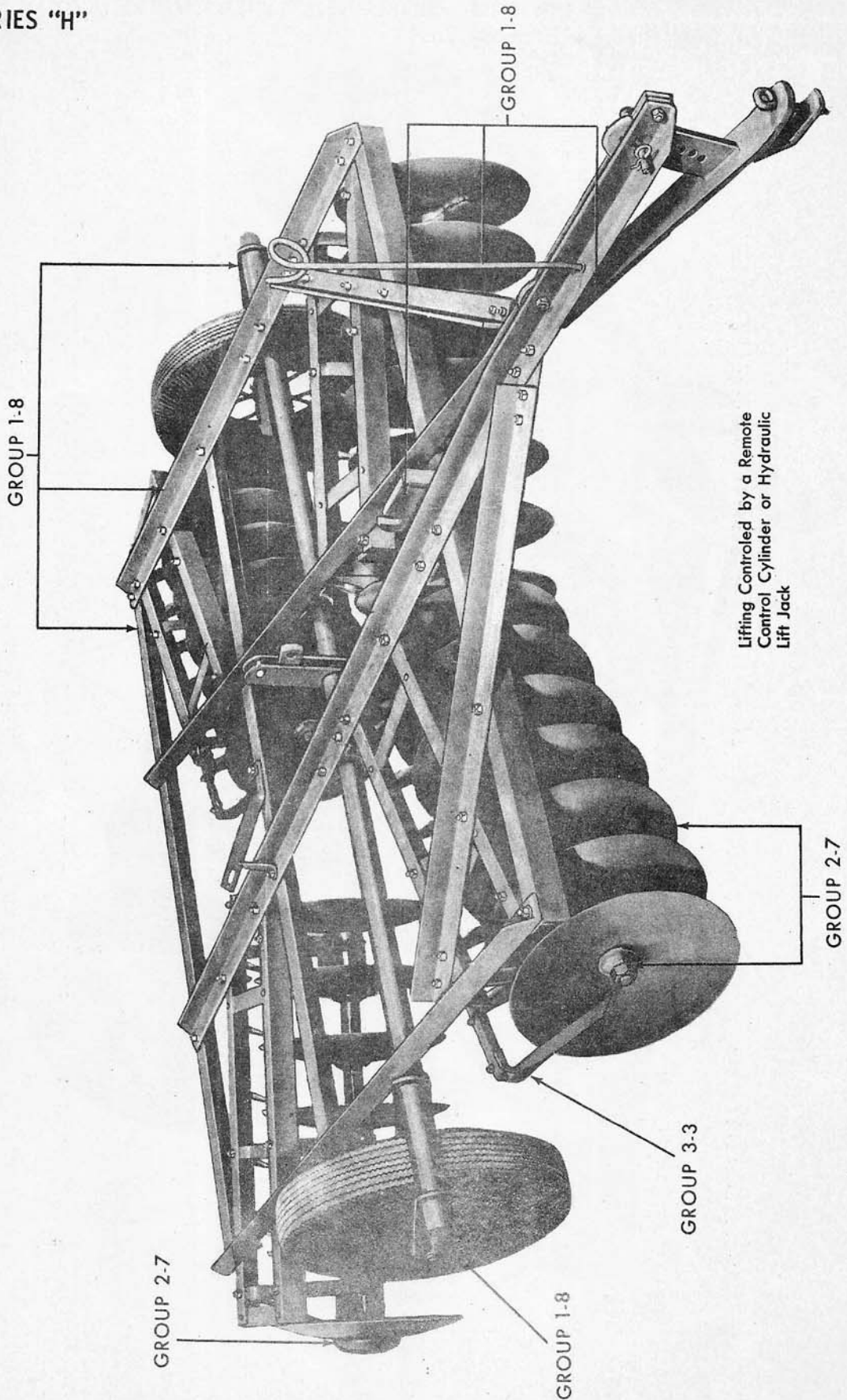
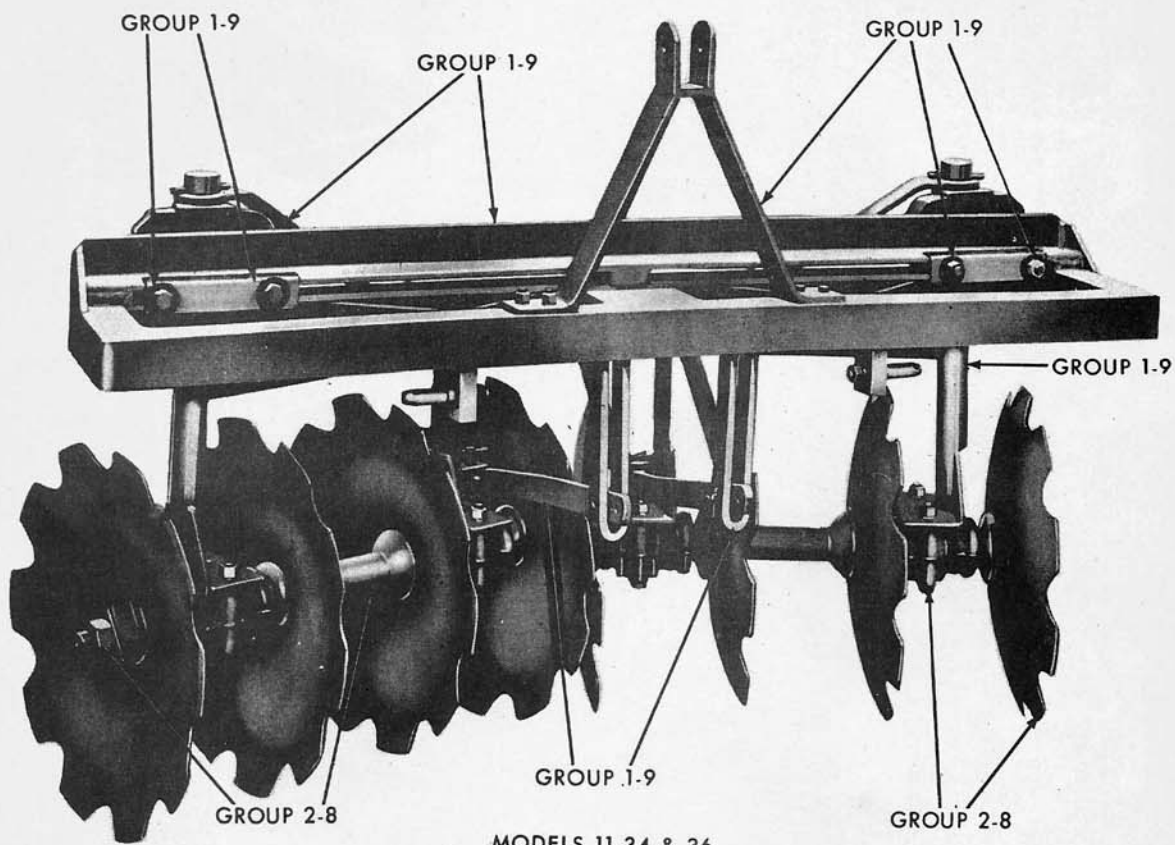


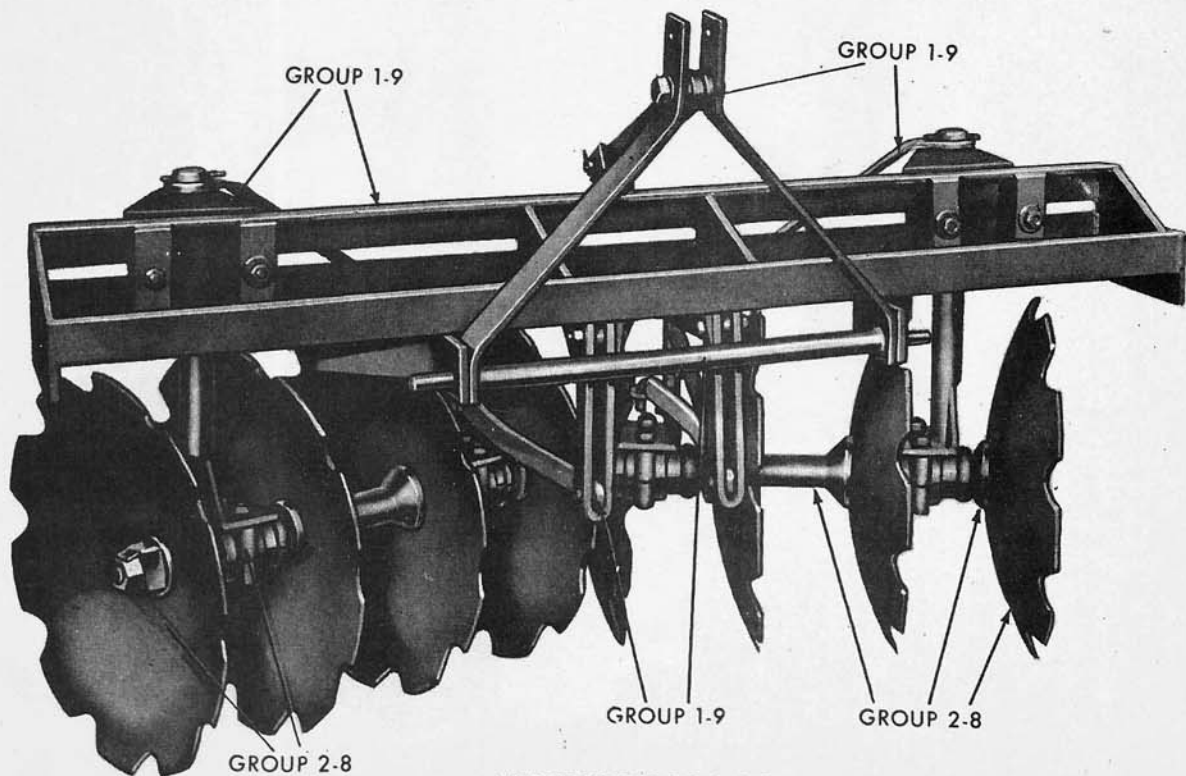
Figure 8 - Dearborn Wheel Type Tandem Disc Harrow, Series "H"

Harrow

REVERSIBLE BUSH AND BOG



MODELS 11-34 & 36



MODELS 11-140, 141 & 142

Figure 9 - Dearborn Reversible Bush and Bog Harrow (Lift Type)

Harrow

BUSH AND BOG

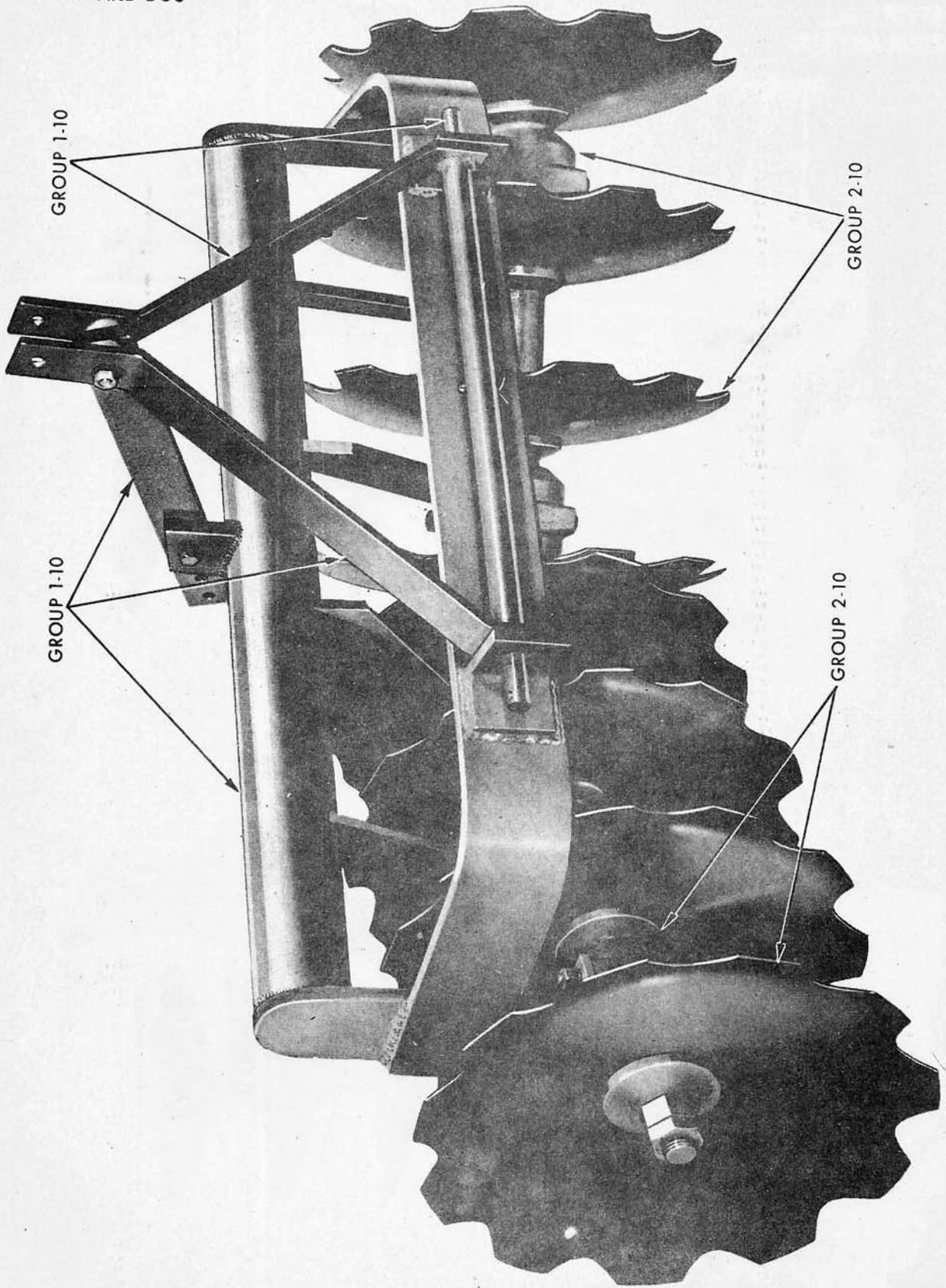


Figure 10 - Dearborn Bush and Bog Harrow (Lift Type)

Harrow

FOLD-OVER

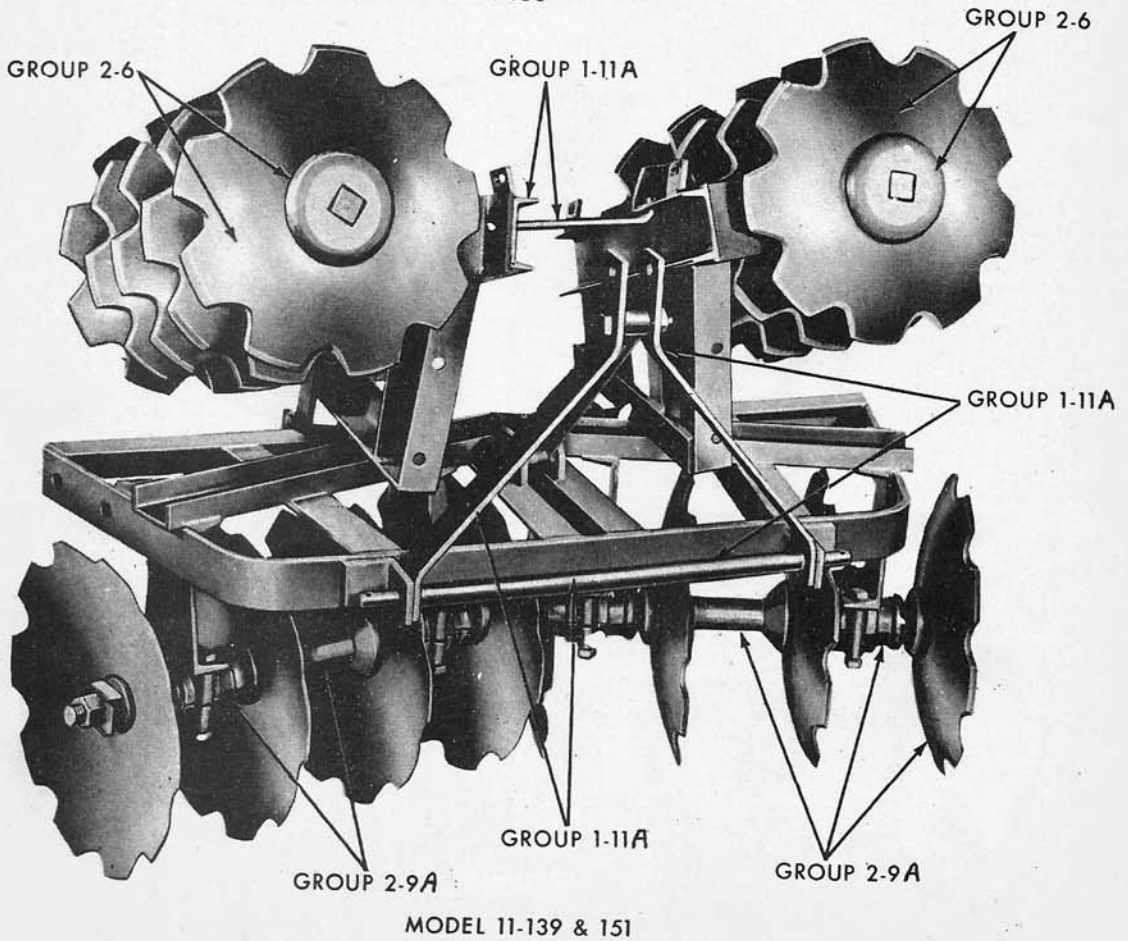
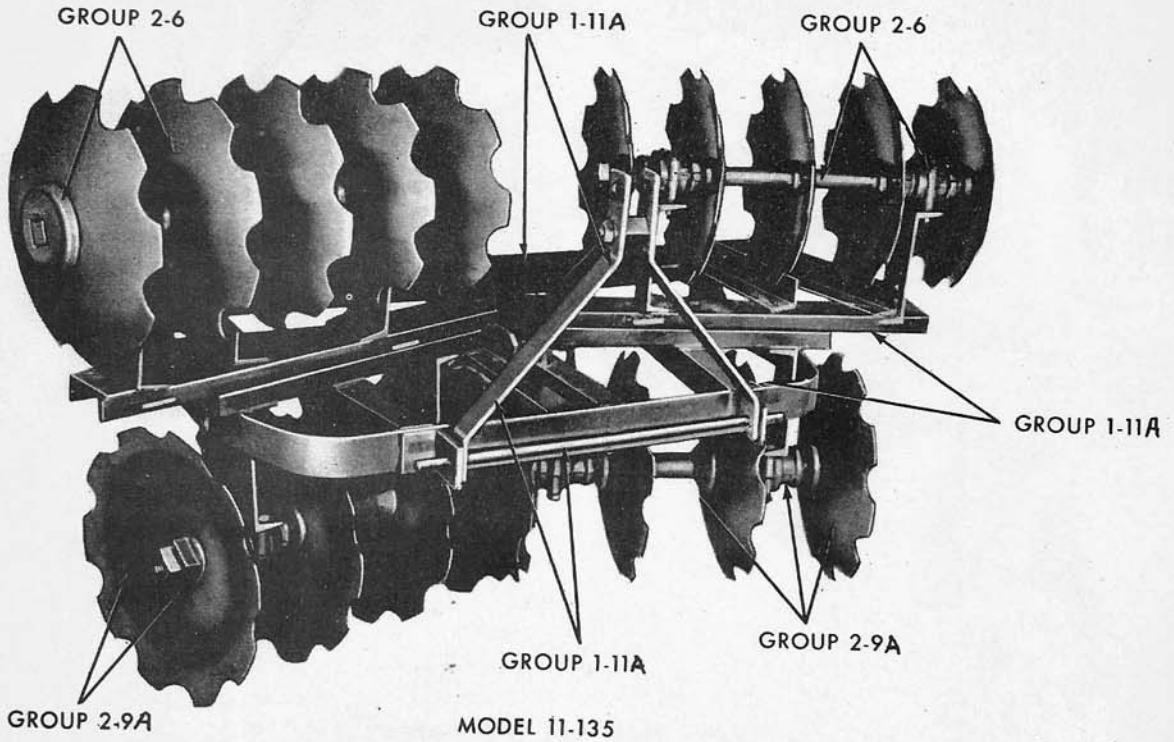
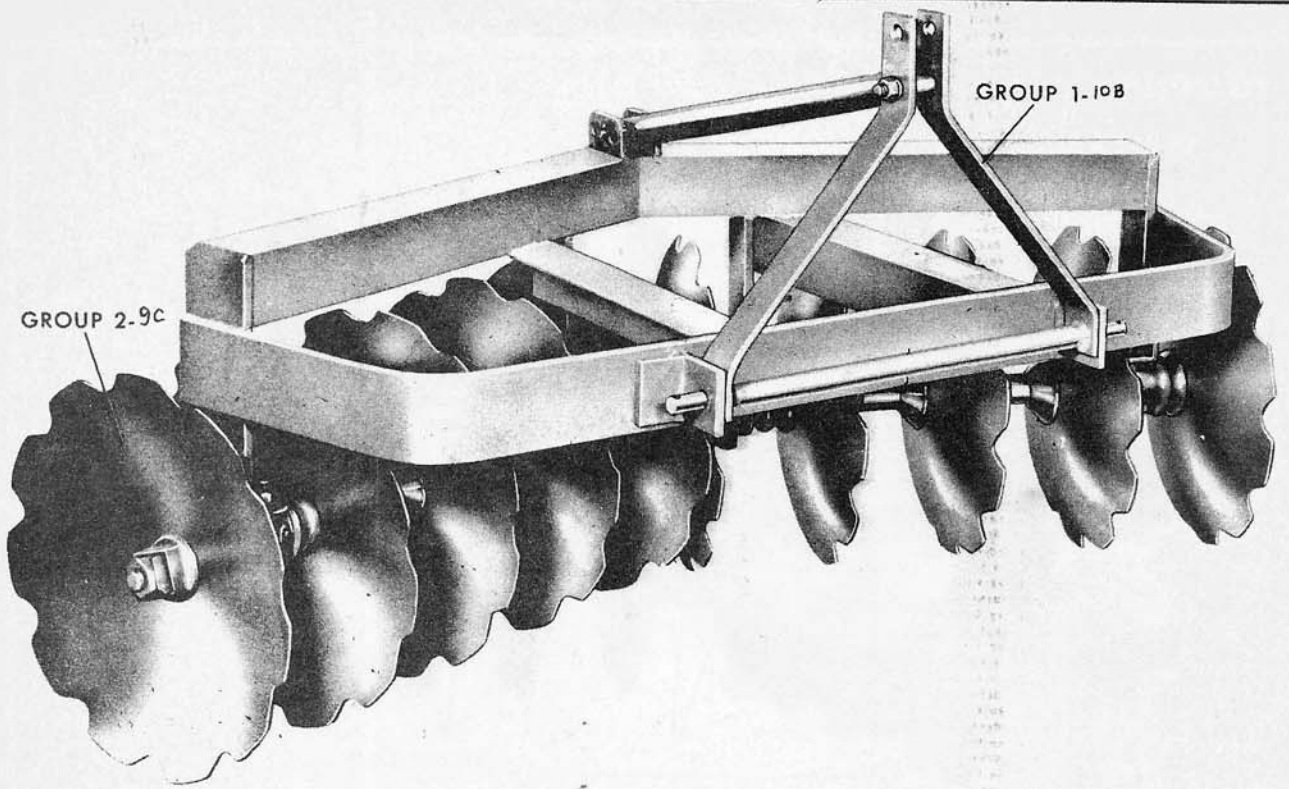
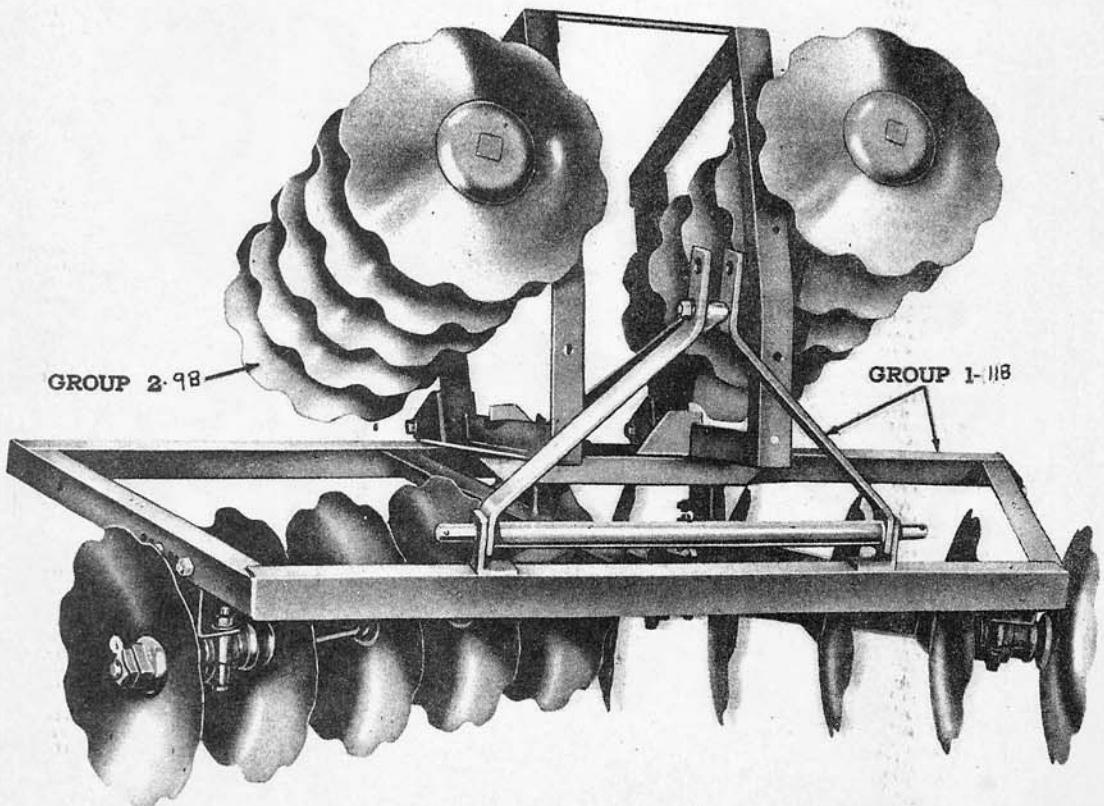


Figure 11 - Dearborn Fold-Over Disc Harrow

Harrow



Bush and Bog Harrow



Fold-Over Harrow

Figure 12 - Bush & Bog and Fold-Over Harrow

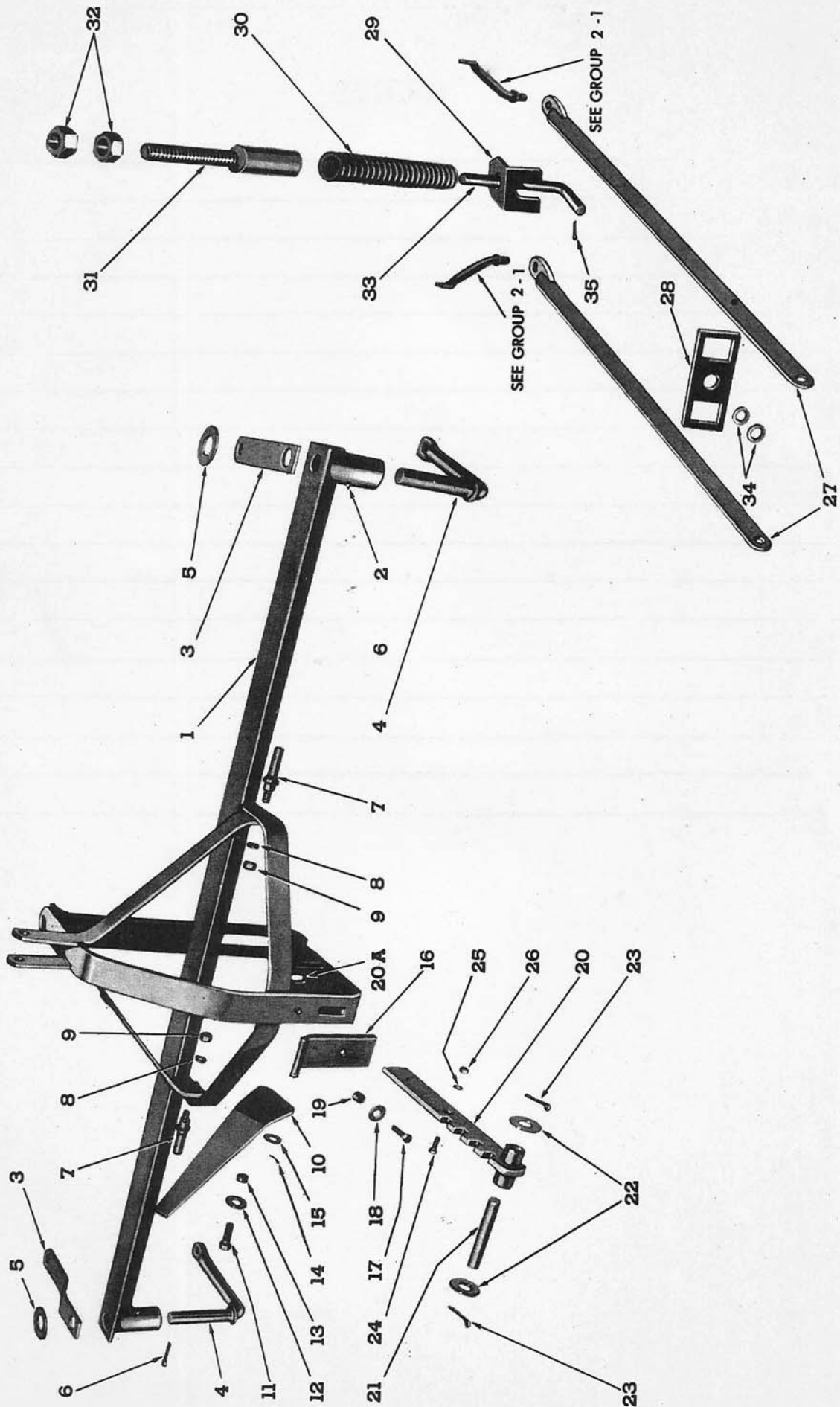


Figure 13 - Lift Frame Assembly

Harrow

FIG.	PART NO.	NAME AND DESCRIPTION	QTY. REQ.
13		GROUP 1-1 - LIFT FRAME ASSEMBLY (Models 11-1, 2 and 3) Series "A" (Lift Type) Single Disc	
1	NLS	FRAME, Lift (WA)	1
		Consists of Frame plus:	
2		FITTING, Lube, 5/16" x 3/4" Str. Dr.	2
3	NLS	BRACE, Connecting	2
4	NLS	DRAWBAR, Outer	2
5		WASHER, 1-1/4" Flat (U.S.)) Outer Drawbar and Con-	
6		COTTER PIN, 3/8" x 2") necting Brace to Lift Fr.	2
7	103880	PIN, Link	2
8		LOCKWASHER, 5/8") Link Pin to Lift Frame	2
9		NUT, 5/8" - 18 Hex	
10	NLS	ARM, Center Drawbar Lever	1
11		BOLT, 5/8" - 11 x 2" Hex Hd) Center Drawbar Lever	
12		WASHER, 5/8" Flat (U.S.)) Arm to Lift Frame	1
13	NLS	BUSHING	
14		COTTER PIN, 1/8" x 1") Lever Arm to Drawbar Lock	1
15		WASHER, 1/2" Flat (U.S.))	
16	110016	LOCK, Drawbar (WA)	1
17		BOLT, 7/16" - 14 x 1-3/4" Hex Hd) Drawbar Lock	
18		WASHER, 7/16" Flat (U.S.)) to Lift	
19	NLS	BUSHING, 3/4" O.D. x .482" I.D. x 9/16") Frame	1
20	110514	RACK, Drawbar (WA)	1
20A	NLS	ADAPTER RACK PILOT ASSEMBLY (Service Only)	1
		Consists of Rack Pilot plus 2 Bolts (7/16-20 x 1-3/4), Lockwashers & Nuts	
21	NLS	PIN, 3/4" x 5-1/4")	
22		WASHER, 3/4" Flat (U.S.)) Drawbar Rack	2
23		COTTER PIN, 1/4" x 2")	
24		BOLT, 3/8" - 16 x 1" Hex Hd) Drawbar Rack Stop	1
25		LOCKWASHER, 3/8")	
26		NUT, 3/8" - 16 Hex)	
27	NLS	DRAWBAR, Center	2
28	110021	PLATE, Center Drawbar Guide	1
29	110020	SEAT, Spring	1
30	110026	SPRING, Adjusting	1
31	110023	BOLT ASSEMBLY, Adjusting Spring	1
		Consists of Bolt and Sleeve plus:	
32		NUT, 7/8" - 9 Heavy Hex.	2
33	110022	ROD, Adjusting Spring Guide	1
34		WASHER, 7/8" Flat (U.S.)) Spring Guide Rod	2
35		COTTER PIN, 3/16" x 1/2")	1
--	NLS **	PIN, King	1
--	NLS **	SPACER, King Pin End	1
--	NLS **	SPACER, King Pin Center	1
--	113713	DECAL, "Dearborn" (2-1/8" x 11" Horizontal)	1
**For use on units prior to Serial No. 2517			

Harrow

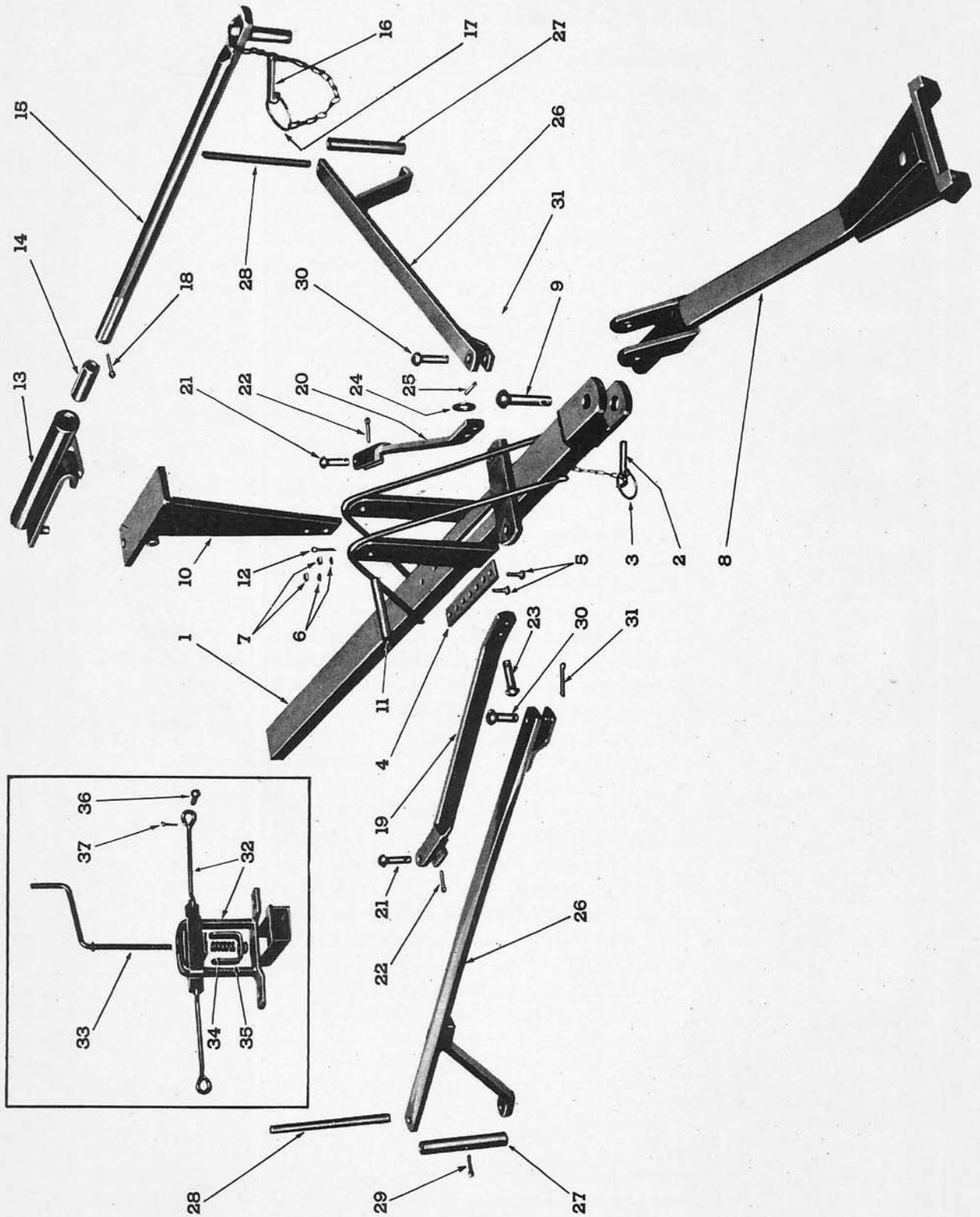


Figure 14 - Hitch and Lever Angling Assemblies

Harrow

FIG.	PART NO.	NAME AND DESCRIPTION	QTY. REQ.
14		GROUP 1-2A - HITCH AND LEVER ANGLING ASSEMBLIES (Models 11-5 thru 8) Series "B"	
1	NLS	TONGUE, Hitch, (WA)	1
2	@	PIN, Linch)	
3	@	RING, Linch Pin Locking) Tongue to Tractor	1
4	NLS	STOP, Angling Lever	1
5		BOLT, 3/8" - 24 x 1" Hex Hd)	
6		LOCKWASHER, 3/8") Stop to Tongue	2
7		NUT, 3/8" - 24 Hex)	
8	110247	HITCH, Tractor (WA)	1
9	112459	PIN, 3/4" x 3-1/2" Drilled Button Hd Rivet - Hitch to Tongue	1
10	NLS	LEVER, Angling (WA)	1
11	NLS	PIN, 5/8" x 4-1/2" Hd Less Str Drld)	
12		COTTER PIN, 3/16" x 1") Lever to Hitch	2
13	110272	PLATE and TUBE ASSEMBLY, Booster	1
		Consists of Plate and Tube plus:	
14	110099	BEARING, Oilite	2
15	110101	BAR and CHAIN, Control (WA)	1
16	@	PIN, Linch)	
17	@	RING, Linch Pin Locking) Bar to Tractor	1
18		COTTER PIN, 3/16" x 1-1/2" - Control Bar Stop	1
19	NLS	DRAFT BAR, RH, Inside (WA)	1
20	NLS	DRAFT BAR, LH, Inside (WA)	1
21		PIN, 5/8" x 2-1/4" Rd Hd Drilled)	
22		COTTER PIN, 1/4" x 1-1/2") Bar to Angle	2
23		PIN, 5/8" x 2-3/8" Rd Hd Drilled)	
24		WASHER, 5/8" Flat (U.S.)) Bar to Lever	1
25		COTTER PIN, 1/4" x 1-1/2")	
26	NLS	DRAFT BAR, Outside (WA)	2
27	NLS	SPACER, 3/4" x 6-3/4" Std. Pipe)	
28	112382	PIN, 5/8" x 9-1/2") Bar to Angle	2
29		COTTER PIN, 3/16" x 1-1/2")	
30		PIN, 5/8" x 2-1/4" Rd Hd Drilled)	
31		COTTER PIN, 1/4" x 1-1/2") Bar to Tongue	2
32	110121	FRAME, Front Gang Leveling (WA)	1
33	110229	CRANK, Adjusting	1
34	NLS	SPRING, Leveling	1
35	110132	LIFTER, Rider (WA)	1
36		PIN, 5/8" x 1-3/4" Rd Hd Drilled)	
37		COTTER PIN, 1/4" x 1-1/2") Frame to Weight Box	2
--	113713	DECAL, "Dearborn" (2-1/8" x 11" Horizontal)	1

@Replaced by 2N-608 Linch Pin & Ring Assembly

Harrow

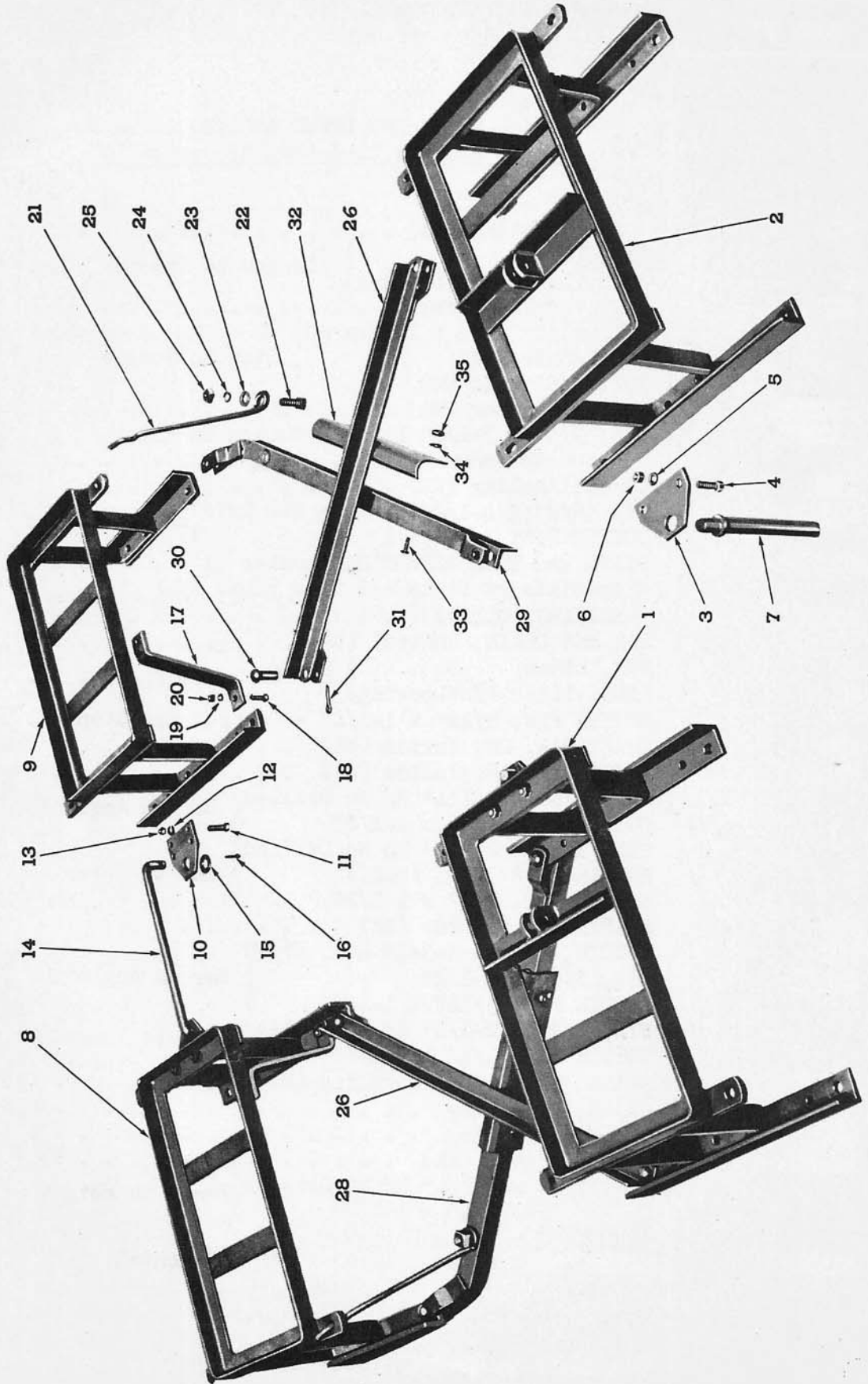


Figure 15 - Gang Frame Assemblies

Harrow

FIG.	PART NO.	NAME AND DESCRIPTION	QTY. REQ.
15		GROUP 1-2B - GANG FRAME ASSEMBLIES (Models 11-5, 6, 7 & 8) Series "B"	
1	NLS	FRAME, Front Right (WA)	1
2	NLS	FRAME, Front Left (WA)	1
3	110154	PLATE, Spindle	2
4		BOLT, 7/16" - 20 x 1-1/2" Hex Hd)	
5		LOCKWASHER, 7/16") Plate to Frame .	4
6		NUT, 7/16" - 20 Hex)	
7	110223	SPINDLE, Front Gang	2
8	NLS	FRAME, Rear Right (WA)	1
9	NLS	FRAME, Rear Left (WA)	1
10	110184	PLATE, Swivel	2
11		BOLT, 7/16" - 20 x 1-1/2" Hex Hd)	
12		LOCKWASHER, 7/16") Plate to Fram . .	4
13		NUT, 7/16" - 20 Hex)	
14	110226	ROD, Rear Gang Tie	1
15		WASHER, 3/4" Flat (U.S.)) Tie Rod to Swivel Plate .	2
16		COTTER PIN, 1/4" x 1-1/2")	
17	NLS	BRACE, Frame	2
18		BOLT, 7/16" - 20 x 1-1/4" Hex Hd)	
19		LOCKWASHER, 7/16") Brace to Frame .	4
20		NUT, 7/16" - 20 Hex)	
21	110227	ROD, Support	2
22		BOLT, 5/8" - 18 x 1-3/4" Hex Hd)	
23		WASHER, 5/8" Flat (U.S.)) Rod to Drawbar .	2
24		LOCKWASHER, 5/8")	
25		NUT, 5/8" - 18 Hex)	
26	110134	DRAWBAR, Cross, Upper Right & Left (WA)	2
28	110255	DRAWBAR, Cross, Lower Right (WA)	1
29	NLS	DRAWBAR, Cross, Lower Left (WA)	1
30		PIN, 5/8" x 1-3/4" Rd Hd Drilled) Drawbar to Frames	8
31		COTTER PIN, 1/4" x 1-1/2")	
32	110211	PLATE, Leveling	2
33		BOLT, 3/8" - 24 x 1" Hex Hd)	
34		LOCKWASHER, 3/8") Plate to Drawbar . . .	4
35		NUT, 3/8" - 24 Hex)	

Harrow

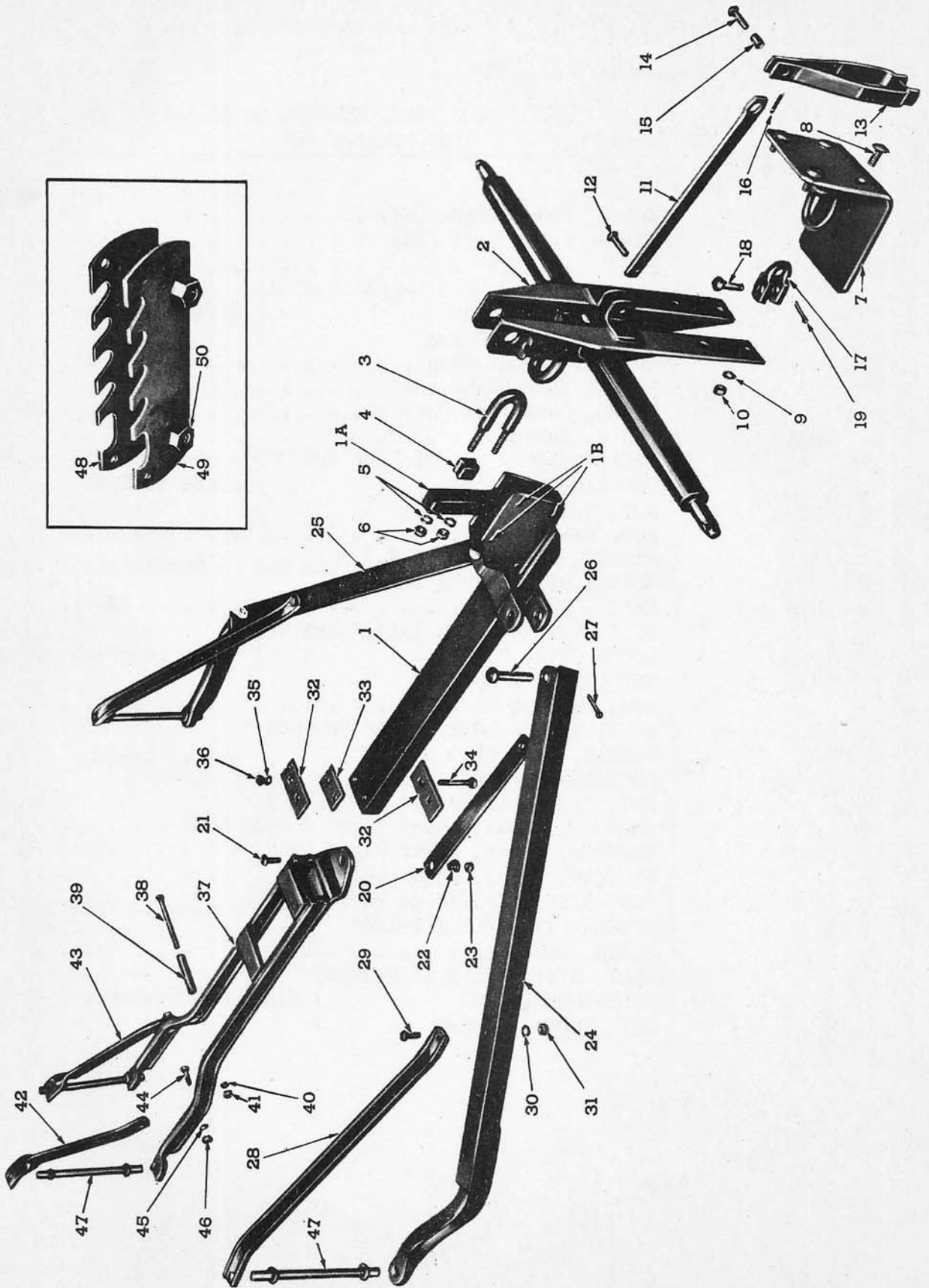


Figure 16 - Pull Frame Assembly

Harrow

FIG.	PART NO.	NAME AND DESCRIPTION	QTY. REQ.
16		GROUP 1-3A - PULL FRAME ASSEMBLY (Models 11-12 thru 15) Series "C"	
1	NLS	DRAFT CHANNEL (WA)	1
		Consists of Channel plus:	
1A	110386	POST, Hitch	1
1B	NLS	PIN, Hitch Post Stop	3
-	192366	BEARING, Latch Yoke Roller	3
-		BOLT, 3/8 - 16 x 3-1/4 Hex	3
2	110525	DRAWBAR, (WA)	1
3	110383	YOKE)	1
4	110534	FILLER) Drawbar to Channel	1
5		LOCKWASHER, 7/16")	2
6		NUT, 7/16" - 20 Hex)	
7	110526	SHOE, Drawbar (WA)	1
8		BOLT, 7/16" - 20 x 1" Carr.)	
9		LOCKWASHER, 7/16") Shoe to Drawbar	4
10		NUT, 7/16" - 20 Hex)	
11	110396	STRAP, Cutting Angle Adjusting	1
12		PIN, 3/8" x 1-5/8" Rd Hd Drl - Strap to Drawbar	1
13	110523	YOKE, Cutting Angle Adjusting (WA)	1
14		PIN, 3/8" x 1-3/8" Rd Hd Drl)	
15	110398	BUSHING) Yoke to Strap	1
16		COTTER PIN, 5/32" x 3/4")	
17	110360	CLEVIS) Shoe to Middle Draft Bar	
18		PIN, 1/2" x 1-5/8" Rd Hd Drl) Connecting Strap	1
19		COTTER PIN, 3/16" x 1")	
20	NLS	STRAP, Middle Draft Bar Connecting	1
21		BOLT, 7/16" - 20 x 1-1/2" Carr)	
22	110439	BUSHING) Strap to Draft Bar	1
23		NUT, 7/16" - 20 Hex.)	
24	NLS	DRAFT BAR, Right, Outside (WA)	1
25	NLS	DRAFT BAR, Left, Outside (WA)	1
26		PIN, 5/8" x 2-3/4" Rd Hd Drl) Draft Bar to Channel	2
27		COTTER PIN, 1/4" x 1-1/4")	
28	NLS	BRACE, Outside Draft Bar Angle	2
29		BOLT, 7/16" - 20 x 1-1/8" Hex Hd)	
30		LOCKWASHER, 7/16") Brace to Draft Bar	2
31		NUT, 7/16" - 20 Hex.)	
32	NLS	CLIP, Draft Channel	2
33	NLS	FILLER, Draft Channel Clip	1
34		BOLT, 7/16" - 20 x 2-7/8" Carr) Clip and Filler to	
35		LOCKWASHER, 7/16") Draft Bar & Adj. Frame	2
36		NUT, 7/16" - 20 Hex.)	
37	NLS	DRAFT BAR ASSEMBLY, Middle	1
		Consists of Bar plus:	
38		BOLT, 7/16" - 20 x 4-3/4" Hex Hd)	
39	111085	SPACER, 1/2" Std Pipe x 3-3/8") Middle Draft Bar	1
40		LOCKWASHER, 7/16")	
41		NUT, 7/16" - 20 Hex.)	
42	NLS	BRACE, Middle Draft Bar, Right	1
43	110413	BRACE, Middle Draft Bar, Left	1

Harrow

FIG.	PART NO.	NAME AND DESCRIPTION	QTY. REQ.
16		GROUP 1-3A - PULL FRAME ASSEMBLY (Models 11-12 thru 15) Series "C" (Cont'd)	
44	110562	BOLT, 7/16" - 20 x 1-3/8" Hex Hd) } Braces to Middle LOCKWASHER, 7/16" } Draft Bar	2
45			
46			
47		PIN, Gang Draft	4
48		PLATE, Adjusting Rack (WA)	1
49		PLATE, Adjusting Rack	1
50		BOLT, 7/16" - 20 x 1-3/4" Carr. - Plates to Top Link	1

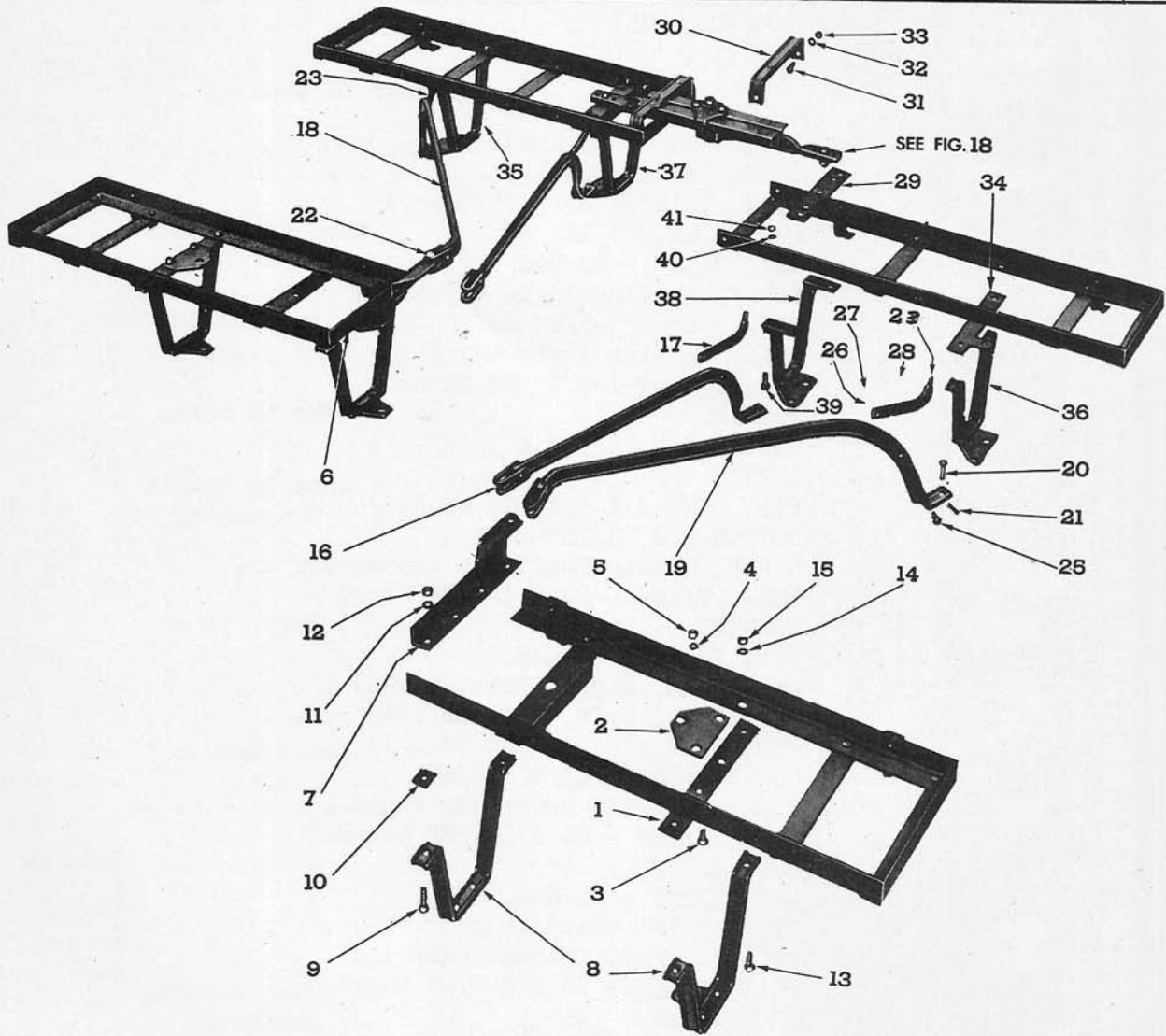


Figure 17 - Weight Box Assemblies

FIG.	PART NO.	NAME AND DESCRIPTION	QTY. REQ.	
17		GROUP 1-3B - WEIGHT BOX ASSEMBLIES		
1	NLS 110572	STRAP, Front Weight Box	2	
2		PLATE, Draft Pin	4	
3		BOLT, 7/16" - 20 x 1" Carr)	} Plate to Strap	8
4		LOCKWASHER, 7/16"		
5		NUT, 7/16" - 20" Hex.		

Harrow

FIG.	PART NO.	NAME AND DESCRIPTION	QTY. REQ.
17		GROUP 1-3B - WEIGHT BOX ASSEMBLIES (Cont'd)	
6	NLS	END, Front Right, Inside (RA)	1
7	NLS	END, Front Left Inside (RA)	1
8	110559	HANGER, Front Bearing (WA)	4
9		BOLT, 7/16" - 20" x 1-11/16" Hex Hd) Hanger and End	
10	44736-S8	WASHER, Spacer } to Weight Box	
11		LOCKWASHER, 7/16" } to Weight Box	4
12		NUT, 7/16" - 20" Hex. }	
13		BOLT, 7/16" - 20" x 1-7/16" Hex Hd) Hanger and Strap	
14		LOCKWASHER, 7/16" } to Weight Box	
15		NUT, 7/16" - 20 Hex. }	4
16	110596	TRAILER REACH, Inside (RA)	2
--	110623	CLEVIS, Reach	2
--		RIVET, 3/8" - 1-3/16" Rd. Hd.	2
--		PIN, 1/2" x 1-5/8" Rd Hd Drld } Reach to Hanger and	
--		COTTER PIN, 3/16" x 1" } Adjusting Bar . . .	2
--		PIN, 1/2" x 2" Rd Hd Drld }	
17	110409	BRACE, Inside Trailer Reach	
--		BOLT, 7/16" - 20" x 1-1/4" Hex Hd) Brace to Trailer	
--		LOCKWASHER, 7/16" & Nut } Reach	2
18	NLS	TRAILER REACH, Right, Outside (RA)	1
19	NLS	TRAILER REACH, Left, Outside (RA)	1
--	110623	CLEVIS, Reach	2
--		RIVET, 3/8" x 1-3/16" Rd. Hd.	2
20		PIN, 1/2" x 1-5/8" Rd Hd Drld } Reach to Hanger . .	2
21		COTTER PIN, 3/16" x 1" }	
22		PIN, 1/2" x 2" Rd Hd Drld. } Reach to Weight Box . .	2
22		WASHER, 1/2" Flat }	
23	110409	BRACE, Trailer Reach, Right & Left, Outside	2
25		BOLT, 7/16" - 20" x 1-1/4" Hex Hd) Brace to Reach . .	
26		LOCKWASHER, 7/16" }	2
27		NUT, 7/16" - 20" Hex. }	
28		COTTER PIN, 3/16" x 1" - Brace to Rear Weight Box . .	2
29	NLS	BAR, Snubber	2
--		BOLT, 7/16" - 20 x 1-3/16" Hex Hd - Bar to Weight Box	4
30	110619	GUIDE, Snubber (WA)	2
31		BOLT, 7/16" - 20" x 1-3/16" Hex Hd) Guide to Weight Box	
32		LOCKWASHER, 7/16" }	4
33		NUT, 7/16" - 20" Hex. }	
34	NLS	CROSS STRAP, Outside (WA) (11-13,14,&15 Only)	2
35	NLS	HANGER, Outside Right, Rear Bearing (WA)	1
36	110625	HANGER, Outside, Left, Rear Bearing (WA)	1
--		BOLT, 7/16" - 20" x 1-7/16" Hex-Hanger, Strap to Box	4
37	NLS	HANGER, Inside Right, Rear Bearing (WA)	1
38	110627	HANGER, Inside Left, Rear Bearing (WA)	1
39		BOLT, 7/16" - 20" x 1-1/2" Hex Hd) Hanger to Weight	
40		LOCKWASHER, 7/16" } Box	4
41		NUT, 7/16" - 20" Hex }	
--	113710	DECAL, "Dearborn" (1-3/4" x 9" Horizontal)	1

Harrow

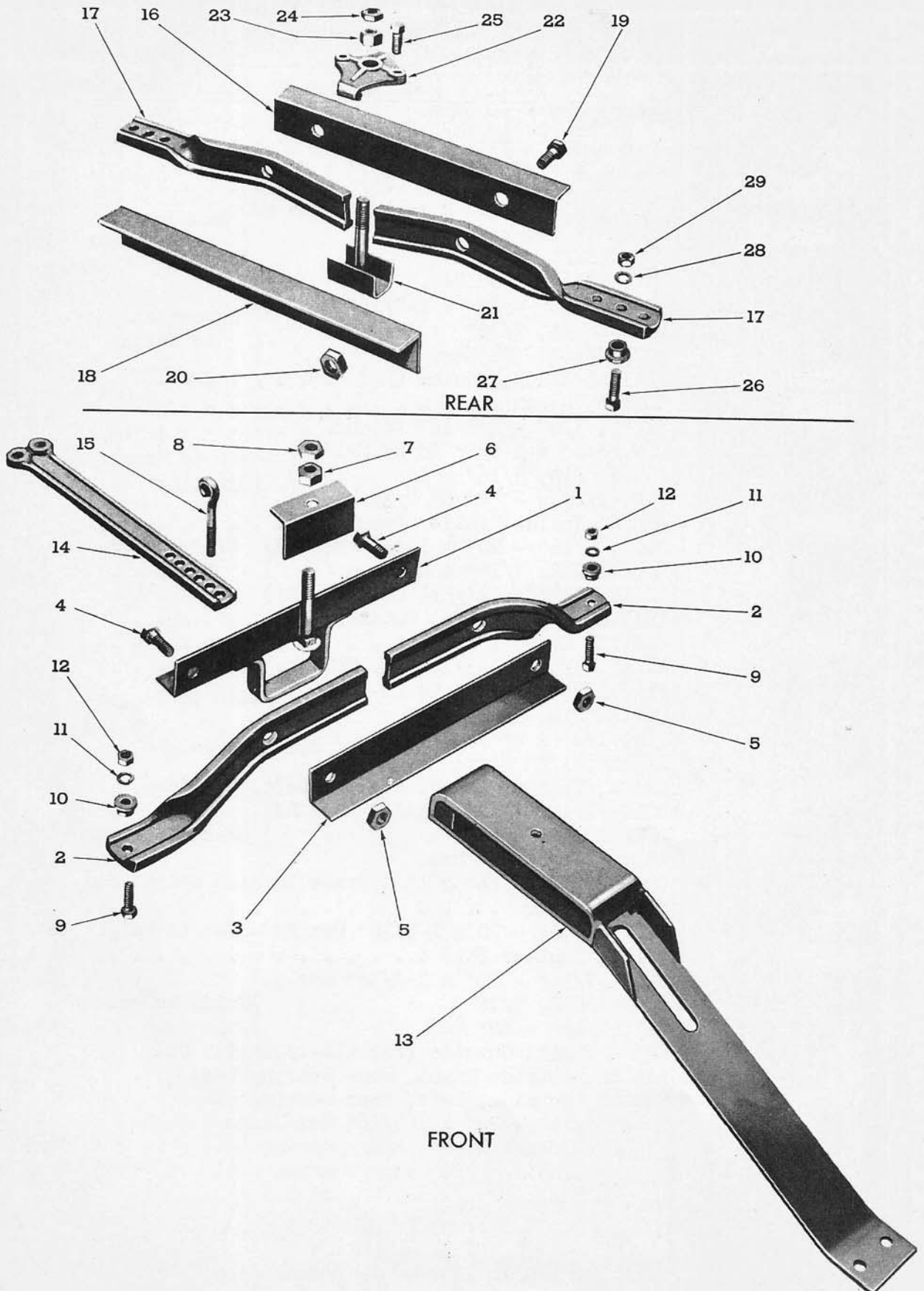
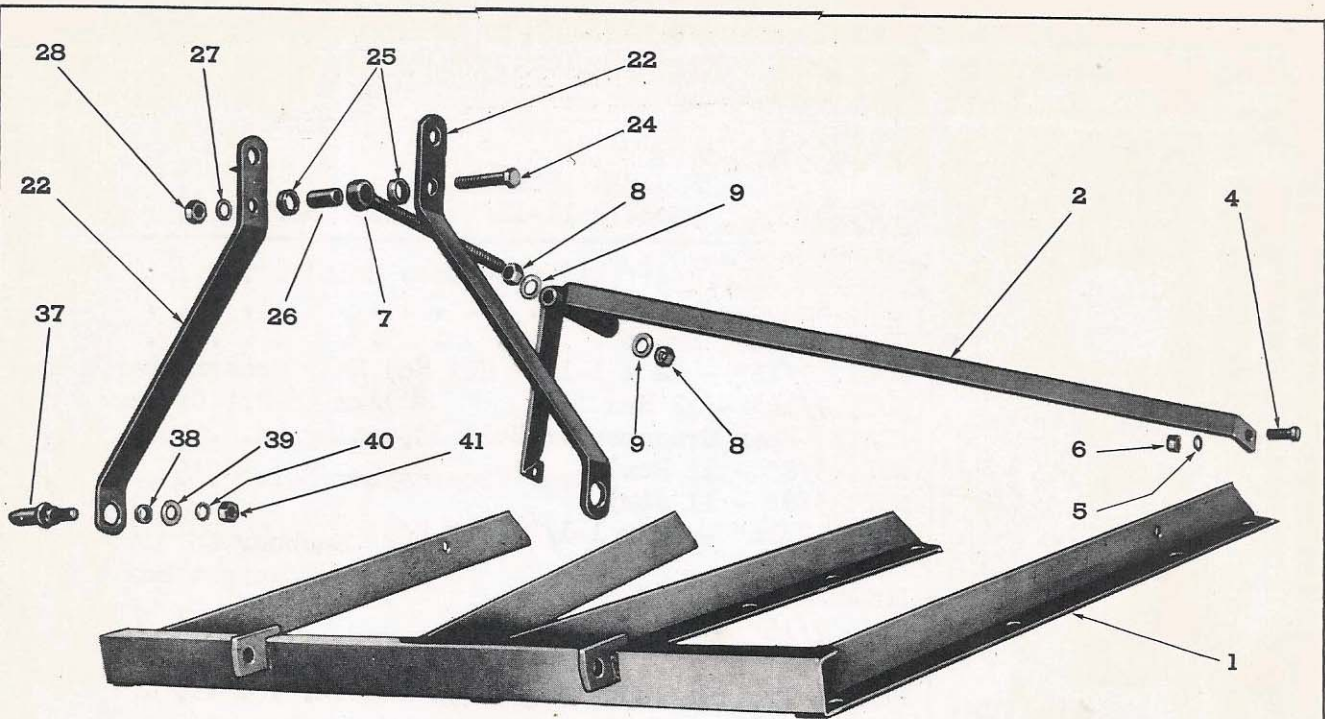


Figure 18 - Snubber Assemblies

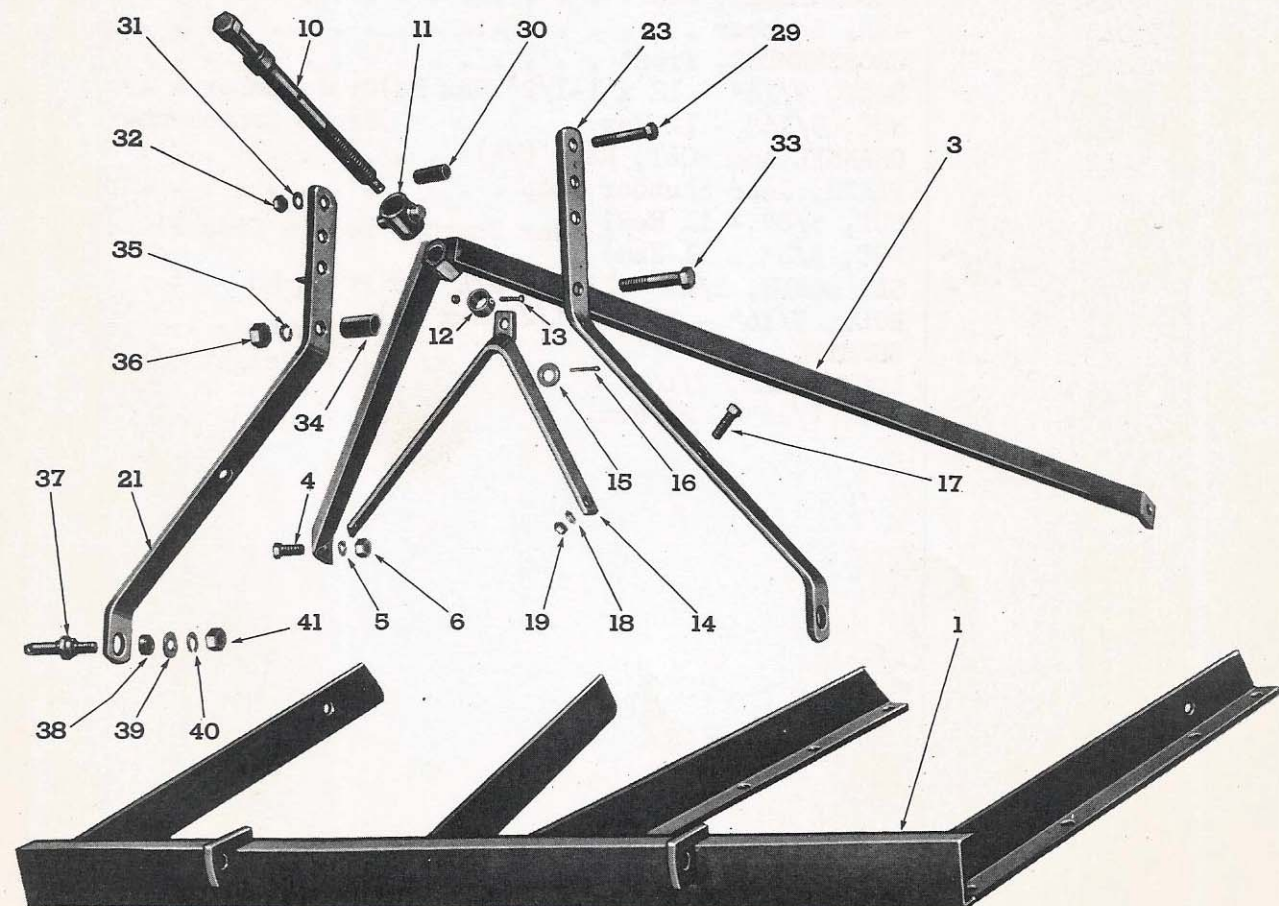
Harrow

FIG.	PART NO.	NAME AND DESCRIPTION	QTY. REQ.
18		GROUP 1-3C - SNUBBER ASSEMBLIES (Models 11-12 thru 15) Series "C"	
1	110574	CROSSMEMBER, Rear (WA) (Includes Bolt)	1
2	110405	ARM, Snubber	2
3	110423	CROSSMEMBER, Front	1
4		BOLT, 9/16" - 12 x 1-1/2" Hex Hd) Rear Crossmember and	
5		NUT, 9/16" - 12 Hex) Arm to Frt Crossmemb.	2
6	NLS	PLATE, Rear Crossmember Bolt Adjusting	1
7		NUT, 5/8" - 11 Hex) Rear Crossmember Bolt	1
8		NUT, 5/8" - 11 Jam)	
9		BOLT, 7/16" - 20 x 1-1/2" Hex Hd) Snubber to	
10	110439	BUSHING) Weight Box .	2
11		LOCKWASHER, 7/16")	
12		NUT, 7/16" - 20 Hex)	
13	110538	FRAME, Trailer Adjusting (WA).	1
14	110402	BAR, Trailer Adjusting	1
15	302554-S8	EYE BOLT - Trailer Adjusting Bar to Adjusting Frame	1
16	110438	CROSSMEMBER, Rear	1
17	110436	ARM, Snubber	2
18	NLS	CROSSMEMBER, Front	1
19		BOLT, 9/16" - 12 x 1-1/2" Hex Hd) Crossmember & Arm to	
20		NUT, 9/16" - 12 Hex) Front Crossmember .	2
21	110622	CHANNEL and BOLT, Rear (WA)	1
22	110445	PLATE, Rear Snubber Stop	1
23		NUT, 5/8" - 11 Hex) Rear Snubber Bolt & Stop Plate .	1
24		NUT, 5/8" - 11 Jam)	
25		SET SCREW, 1/2" - 13 x 1-1/4" Rd Pt Sq Hd - Stop Plate	2
26		BOLT, 7/16" - 20 x 1-1/2" Hex Hd) Snubber Arm to	
27	110439	BUSHING) Weight Box . .	2
28		LOCKWASHER, 7/16")	
29		NUT, 7/16" - 20 Hex.)	

Harrow



ORIGINAL SUPERSTRUCTURE



MODIFIED SUPERSTRUCTURE

Figure 19 - Lift Frame Assemblies

Harrow

FIG.	PART NO.	NAME AND DESCRIPTION	QTY. REQ.	
19		GROUP 1-4A - LIFT FRAME ASSEMBLIES (Lift Type) Series "C"	11-59 Thru 11-62	11-63
1	NLS	FRAME (WA)	1	-
2	*NLS	YOKE, Support (WA)	1	-
3	**NLS	YOKE, Support (WA)	1	-
-	NLS	YOKE, Support (WA)	-	1
4		BOLT, 5/8" - 18 x 5/8" Hex Hd)		
5		LOCKWASHER, 5/8") Yoke to Frame .	2	2
6		NUT, 5/8" - 18 Hex.)		
7	*111528	EYE BOLT, Adjusting	1	-
8		NUT, 3/4" - 10 Hex.) Eye Bolt to Yoke. .	2	-
9		WASHER, 3/4" Flat (U.S.))		
10	**110477	SCREW, Adjusting (WA)	1	-
--	NLS	SCREW, Adjusting (WA)	-	1
11	**111731	BEARING, Adjusting Screw, Front	1	1
12	**NLS	COLLAR, Adjusting Screw	1	1
13	**	BOLT, 1/4" - 20 x 1-3/4" Hex Hd-Cllr to Adj Sc	1	2
14	**NLS	BEARING & SUPPORT, Adjusting Screw (WA) . . .	1	-
--	NLS	BEARING & SUPPORT, Adjusting Screw (WA) . . .	-	1
15		WASHER, 5/8" Flat (U.S.)) Bearing & Support to		
16		COTTER PIN, 1/4" x 1-1/4") Adjusting Screw .	1	1
17		BOLT, 7/16" - 20 x 1-1/4" Hex Hd) Adj. Screw		
18		LOCKWASHER, 7/16") Bearing to Top		
19		NUT, 7/16" - 20 Hex.) Link Bracket	2	2
21	**NLS	BRACKET, Top Link, Right (WA)	1	-
22	*NLS	BRACKET, Top Link	2	-
23	**NLS	BRACKET, Top Link	1	-
--	NLS	BRACKET, Top Link	-	2
24		BOLT, 5/8" - 18 x 3-1/2" Hex Hd)	1	-
25	*	WASHER, 7/8" Flat) Bracket to Eye	2	-
26	*111530	SPACER, Long) Bolt to Bracket	1	-
27		LOCKWASHER, 5/8")	1	-
28		NUT, 5/8" - 18 Hex.)		
29		BOLT, 7/16" - 20 x 3-1/4" Hex Hd)		
30	**110831	SPACER, 3/8" Std Pipe x 1-13/16" } Adjusting Screw		
31		LOCKWASHER, 7/16" } to Brackets	1	1
32		NUT, 7/16" - 20 Hex. }		
33		BOLT, 5/8" - 18 x 3-1/2" Hex Hd. }		
34	**111530	SPACER, 3/4" Std Pipe x 1-13/16" } Bracket to		
35		LOCKWASHER, 5/8" } Bracket .	1	-
36		NUT, 5/8" - 18 Hex. }		
37	103283	PIN, Link	2	-
--	103497	PIN, Link	-	2
38	111519	BUSHING, 1-1/8" O.D. x 29/32" I.D.)	1	-
39		WASHER, 5/8" Flat (U.S.)) Pin, Bracket	2	-
40		LOCKWASHER, 5/8") to Frame	2	2
41		NUT, 5/8" - 18 Hex.)	2	2
--	113713	DECAL, "Dearborn" (2-1/8" x 11" Horizontal) .	1	1
*Old superstructure parts used prior to Serial Numbers 11-59-1606, 11-60-1805, 11-61-2020 and 11-62-1124.				
**New superstructure parts effective with Serial Numbers 11-59-1606, 11-60-1805, 11-61-2020 and 11-62-1124.				

Harrow

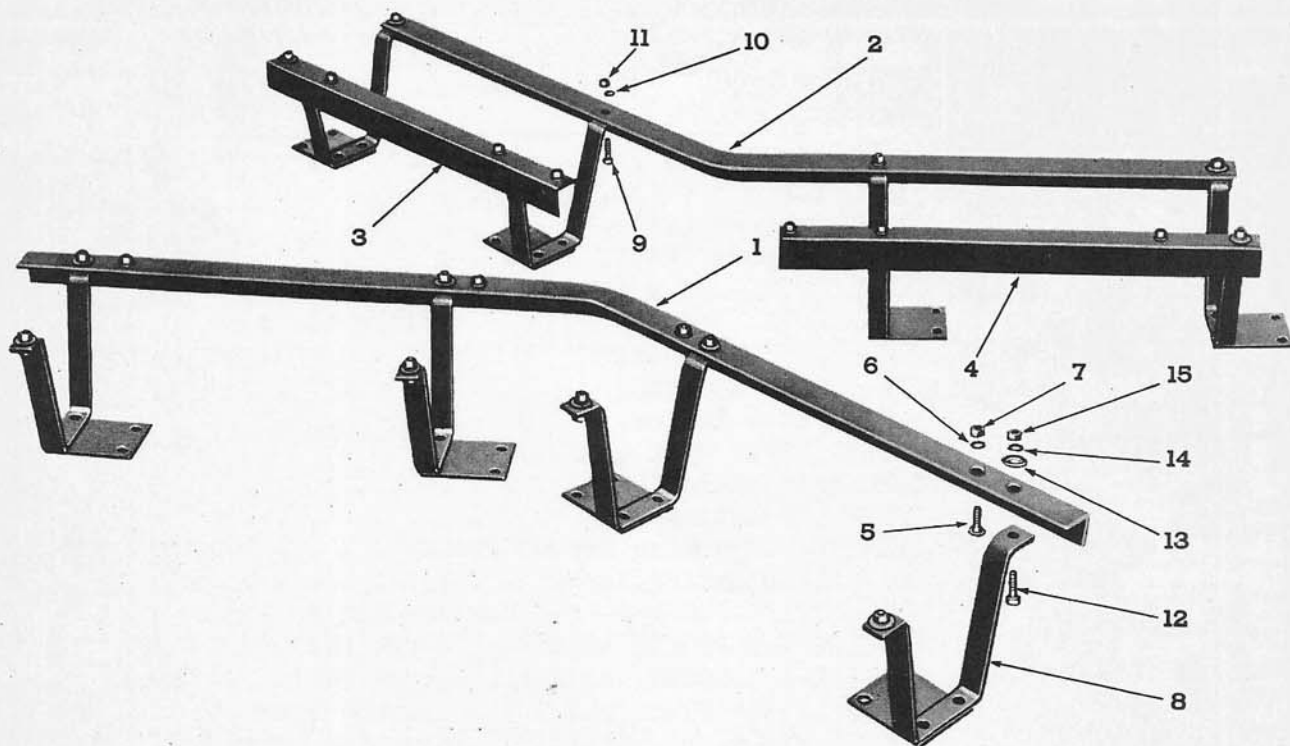


Figure 20 - Gang Frame Assembly

FIG.	PART NO.	NAME AND DESCRIPTION	QTY. REQ.	
20		GROUP 1-4B - GANG FRAME ASSEMBLY (Lift Type) Series "D"	11-59 Thru 11-62	11-63
1	NLS	STRUT, Front Cross	1	-
-	NLS	STRUT, Front Cross	-	1
2	NLS	STRUT, Rear Cross	1	-
-	NLS	STRUT, Rear Cross	-	1
3	NLS	STRUT, Short Rear Cross, Left	1	-
4	NLS	STRUT, Short Rear Cross, Right	1	-
5		BOLT, 7/16" - 20 x 1" Carr.)		
6		LOCKWASHER, 7/16") Struts to Frame .	8	8
7		NUT, 7/16" - 20 Hex.)		
8	111442	HANGER, Bearing (WA)	8	-
-	110559	HANGER, Bearing (WA)	-	8
9		BOLT, 7/16" - 20 x 1-1/2" Hex Hd) Hanger & Strut		
10		LOCKWASHER, 7/16") to Frame .	4	4
11		NUT, 7/16" - 20 Hex.)		
12		BOLT, 7/16" - 20 x 1-1/4" Hex Hd) Hanger & Struts		
13		WASHER, 7/16" Flat (U.S.)) to Frame .	12	12
14		LOCKWASHER, 7/16")		
15		NUT, 7/16" - 20 Hex.)		

Harrow

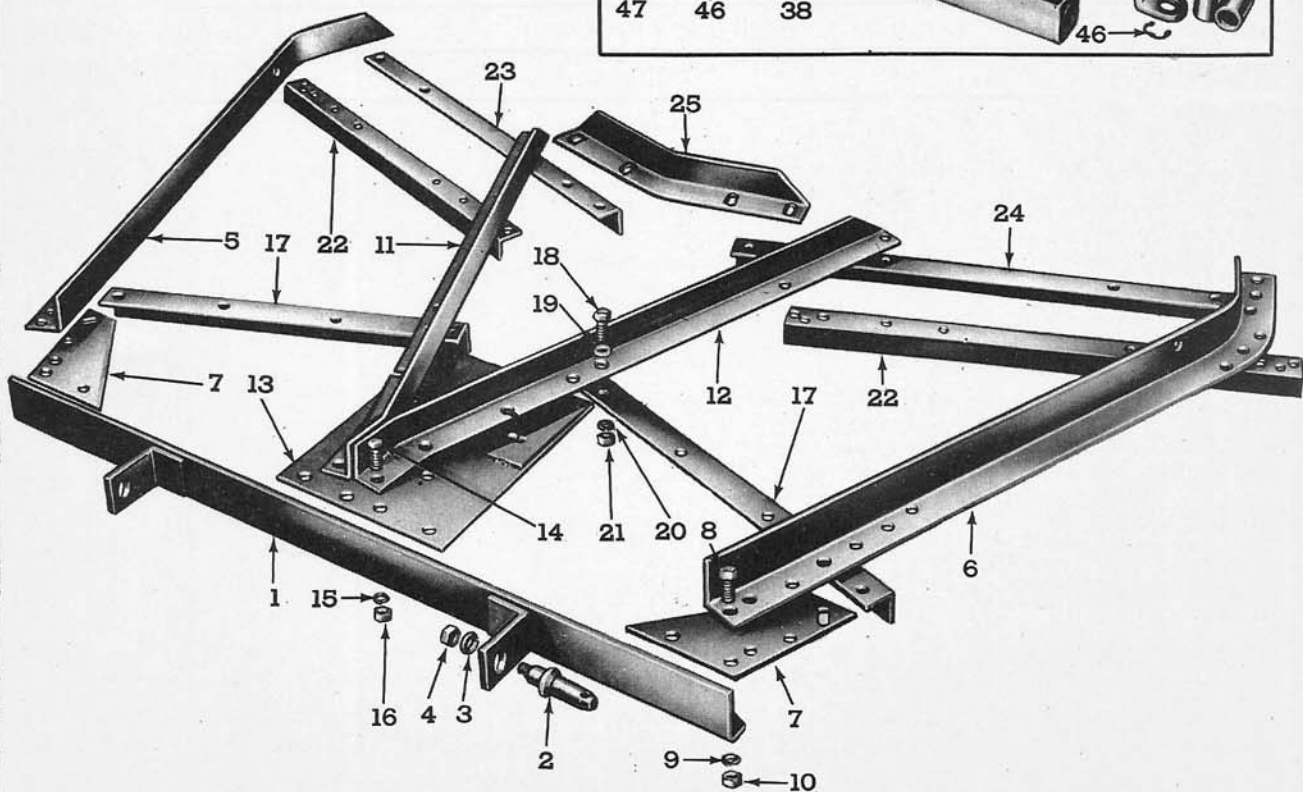
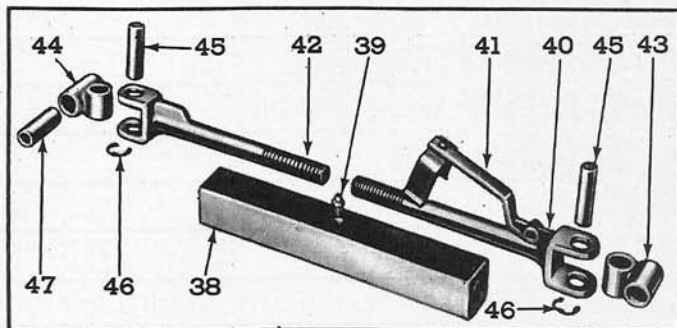
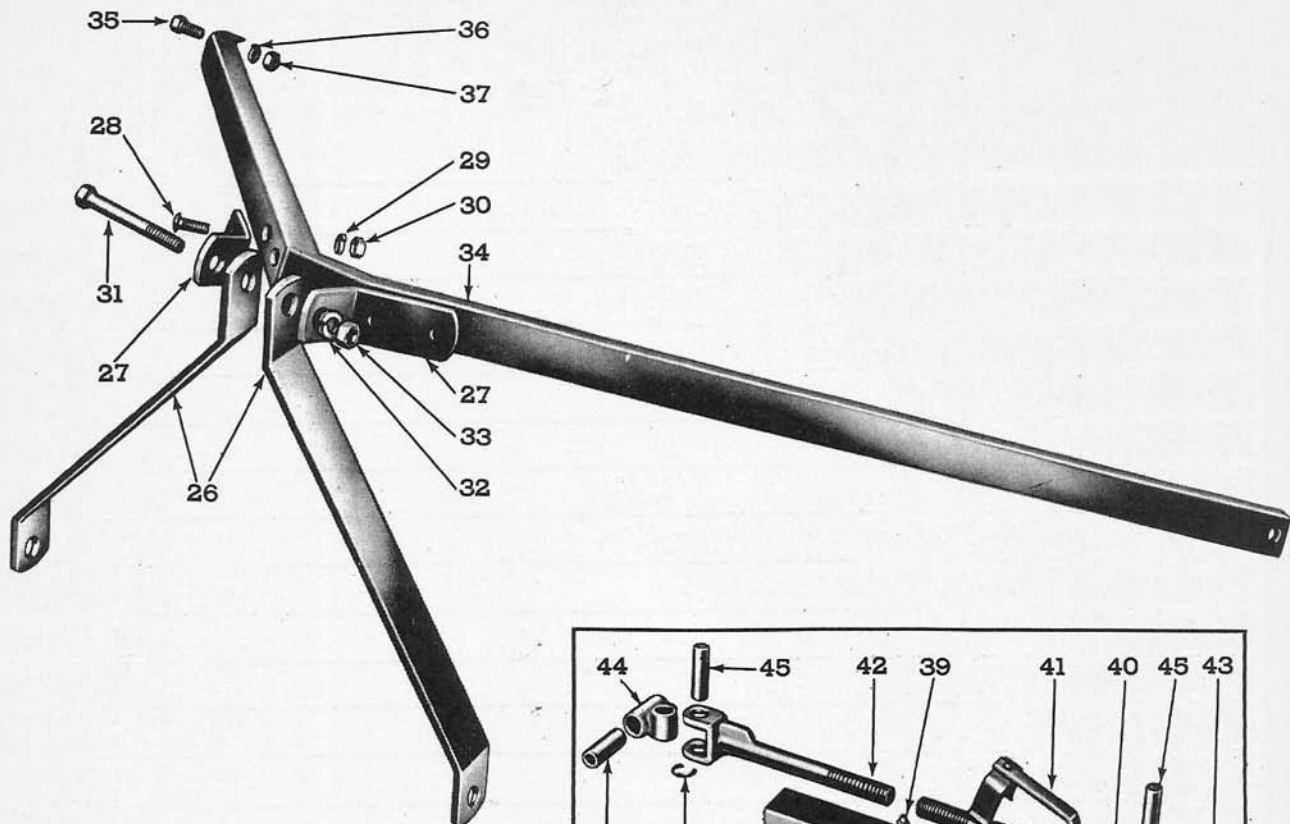


Figure 21 - Frame Assembly

Harrow

FIG.	PART NO.	NAME AND DESCRIPTION	QTY. REQ.
21		GROUP 1-5 - FRAME ASSEMBLY (Models 11-85, 86, 87, 93, (Lift Type) 98, 99, 102, 132, 133, 134) Series "E"	
1	111810	BAR, Head (WA)	1
2	131010	PIN, Link)	
3		LOCKWASHER, 5/8") Top Link Bracket to Head Bar . .	2
4		NUT, 5/8" - 18 Hex)	
5	112797	STRUT, Outer, Right	1
6	112794	STRUT, Outer, Left	1
7	112792	PLATE, Frame	2
8		BOLT, 7/16" - 14 x 1-1/2" Hex Hd) Plate to Outer Strut	
9		LOCKWASHER, 7/16") to Head Bar & Hanger	6
10		NUT, 7/16" - 14 Hex.)	
11	112795	STRUT, Inner, Right	1
12	112796	STRUT, Inner, Left	1
13	112783	PLATE, Pivot (WA)	1
14		BOLT, 7/16" - 14 x 1-1/2 Hex Hd) Plate to Inner Struts	
15		LOCKWASHER, 7/16") and Head Bar . .	8
16		NUT, 7/16" - 14 Hex.)	
17	112779	STRUT, Cross, Front	2
18		BOLT, 7/16" - 14 x 1-1/2" Hex Hd)	
19		WASHER, 7/16" Flat (U.S.)) Strut Attachings	10
20		LOCKWASHER, 7/16")	
21		NUT, 7/16" - 14 Hex.)	
22	112793	STRUT, Rear, Short	2
23	112808	STRUT, Rear Cross, R.H.	1
24	112807	STRUT, Rear Cross, L.H.	1
25	112806	LINK, Rear Cross Strut	1
—		BOLT, 7/16" - 14 x 1-1/2" Hex -Struts & Hgrs to Struts	12
26	111813#	BRACKET, Top Link	2
—	110115##	BRACKET, Top Link	2
27	110114	STRAP, Frame Support Yoke	2
28		BOLT, 7/16" - 14 x 1-1/8" Carr.)	
29		LOCKWASHER, 7/16") Strap to Yoke . . .	4
30		NUT, 7/16" - 14 Hex.)	
31		BOLT, 5/8" - 11 x 4-1/2" Hex.)	
32		LOCKWASHER, 5/8") Brkt. & Strap to Yoke	1
33		NUT, 5/8" - 11 Hex.)	
34	111814	YOKE, Frame Support	1
35		BOLT, 5/8" - 11 x 1-1/2" Hex.)	
36		LOCKWASHER, 5/8") Yoke to Outer Struts	2
37		NUT, 5/8" - 11 Hex.)	
38	111822#	HOUSING, Adjustable Top Link (WA)	1
39		FITTING, 1/8" - 27 x 3/4" Str Lube - Top Link Housing	1
40	112405#	YOKE ASSEMBLY, Adj. Top Link, L.H. Thread	1
		Consists of Yoke plus:	
41	112408#	LOCK, Adjustable Top Link Yoke (RA)	1
42	112406#	YOKE, Adjustable Top Link, R.H. Thread	1
43	112404#	KNUCKLE, Adjustable Top Link, Short	1
44	112407#	KNUCKLE, Adjustable Top Link, Long	1
45	112422#	PIN) Knuckle to Tractor	2
46	112423#	RING, Retainer)	4
47	111834#	SPACER, Top Link	1
47	103028##	SPACER, Top Link	1

Harrow

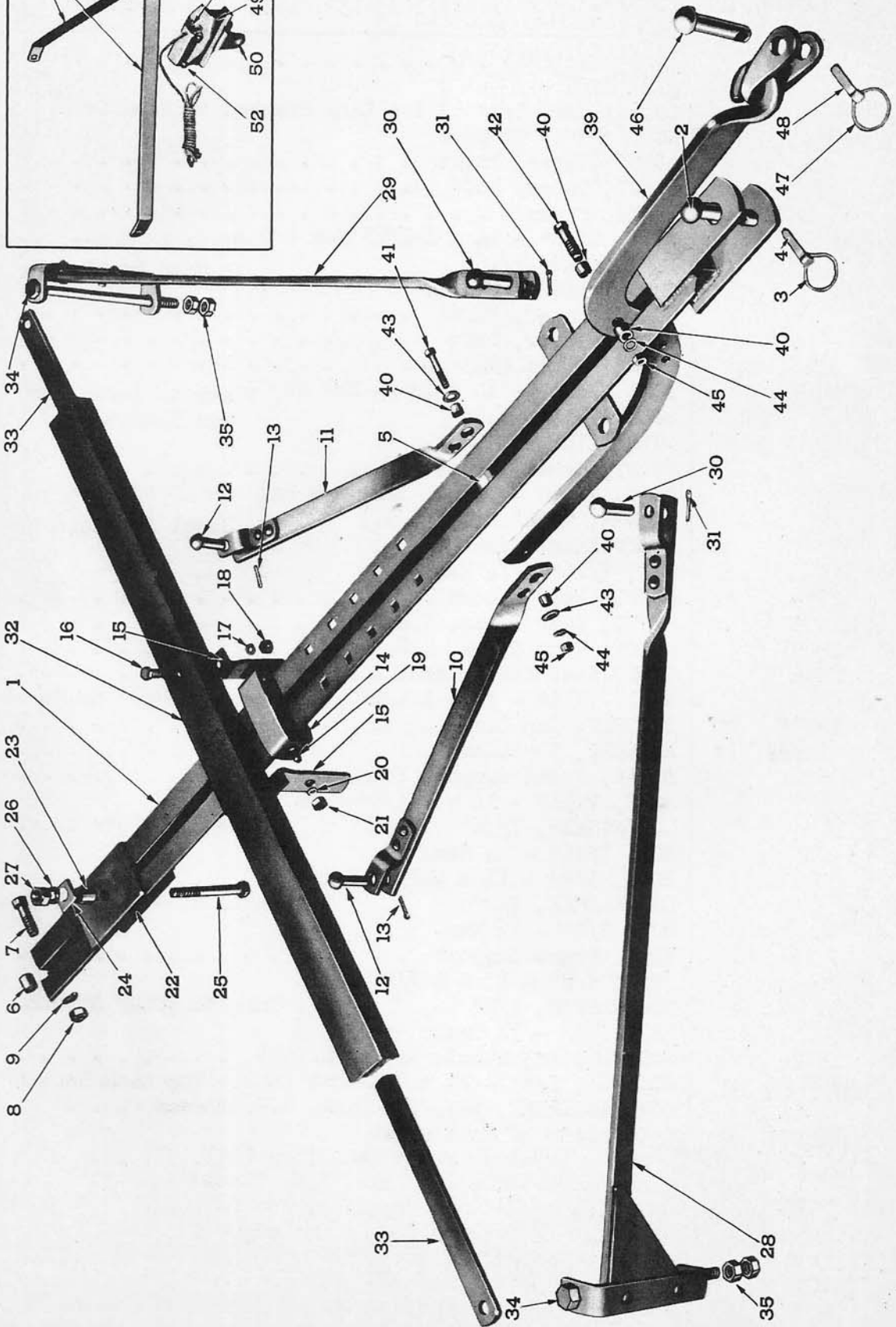
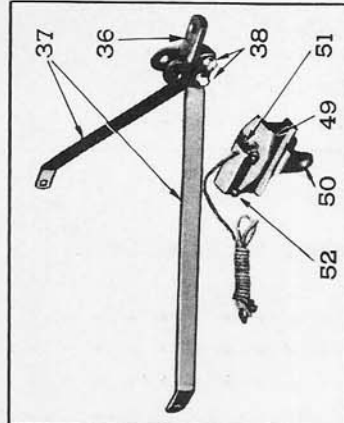


Figure 22 - Pull Frame and Hitch Assemblies

Harrow

FIG.	PART NO.	NAME AND DESCRIPTION	QTY. REQ.
22		GROUP 1-6A - PULL FRAME AND HITCH ASSEMBLIES (Models 11-88, 89, 90, 105, 112, 113, 114 & 116) Series "F" (Pull Type)	
1	112230	TONGUE, Hitch (WA)	1
2	112459	PIN, Clevis	1
3	@	RING, Linch Pin	1
4	@	PIN, Linch	1
5	112448	PULLEY, Angling	1
6	NLS	SPACER, Hitch Tongue	2
7		BOLT, 5/8" - 18 x 2-1/8" Hex.)	
8		LOCKWASHER, 5/8") Pulley & Spacer to	
9		NUT, 5/8" - 18 Hex.) Tongue	2
10	112364	BAR, Inner Draft (RA) Right	1
11	112365	BAR, Inner Draft (RA) Left	1
12	112383	PIN, 5/8" x 2-1/8" x 2-1/8" Rd Hd Drld) Inner Draft Bar	
13		COTTER PIN, 3/16" x 1") to Inner Links	2
—	# *	GUIDE, Tongue (WA)	1
14	112691**	GUIDE, Tongue Leveling	1
—	NLS *	SPACER, Tongue Leveling	4
15	112694**	SUPPORT, Tongue Leveling Guide	2
16	*	BOLT, 7/16" - 20 x 1-1/8" Carr.)	
17	*	LOCKWASHER, 7/16") Guide to Stabilizer	
18	*	NUT, 7/16 - 20) to Spacer	2
19	**	BOLT, 7/16 - 14 x 1" Carr Short Nk.)	
20	**	LOCKWASHER, 7/16") Guide to Support	
21	**	NUT, 7/16" - 14 Hex.)	2
22	112463	GUIDE, Hitch Tongue, Rear	1
—	112466*	BUSHING, Front Lug	1
23	112693**	BUSHING, Front Lug	1
24	300090	RETAINER, Front Lug	2
—	*	BOLT, 5/8" - 18 x 5-1/2" Hex)	
25	**	BOLT, 5/8" - 18 x 5" Hex) Retainer and Bushing	
26		LOCKWASHER, 5/8") to Guide	1
27		NUT, 5/8" - 18 Hex.)	
28	112491	BAR, Outer Draft (RA) Right	1
29	112489	BAR, Outer Draft (RA) Left	1
30	112383	PIN, 5/8" x 2-1/8" Rd Hd Drld) Bar to Tongue	2
31		COTTER PIN, 3/16" x 1")	
32	112343	STABILIZER, Hitch (WA)	1
—	NLS *	SPACER, Stabilizer	2
33	112346	TONGUE, Stabilizer	2
—	112382*	PIN, 5/8" x 9-3/4" Rd Hd Drld. -Bar to Stab. Tongue	2
34	105107**	BOLT, 5/8" - 18 x 11-1/2" Hex) Outer Draft Bar to	
35	**	NUT, 5/8" - 18 Hex.) Stabilizer Tongue	4
*Used Prior to Serial No. 8986 & then from Serial No. 9012 through Serial No. 9023.			
**Used Effective with Serial No. 8986 through Serial No. 9011 then after Serial No. 9023.			

Harrow

FIG.	PART NO.	NAME AND DESCRIPTION	QTY. REQ.
22		GROUP 1-6A - PULL FRAME AND HITCH ASSEMBLIES (CONT'D)	
		HARROW HITCH (FORD TRACTOR) Series "F" Standard Equipment for Models 11-88, 89, 90 and 105	
36	112460	YOKE, Tongue Hitch	1
37	112443	LINK, Tongue Hitch	1
38		BOLT, 5/8" - 18 x 2-3/8" Hex. Hd. - Link to Yoke . .	2
39	112550	CAM, Angling (Forged Assembly)	1
40	112552	SPACER, Angling Stop	4
41		BOLT, 7/16" - 20 x 2-1/4" Hex)	1
42		BOLT, 7/16" - 20 x 2" Hex Hd)	1
43	131033	WASHER, 7/16" Flat (U.S.)) Spacers to Angling Cam	2
44		LOCKWASHER, 7/16")	2
45		NUT, 7/16" - 20 Hex.)	2
46	112459	PIN, Clevis	1
47	@	RING, Linch Pin	1
48	@	PIN, Linch	1
		SPECIAL NOTE	
		When using the Ford Tractor Hitch the following listed items should be attached to the tractor:	
--	* 230043 N.L.S.	BRACKET, Stabilizer, Right - 8N. & NAA Tractors . . .	1
--	* 230061 N.L.S.	BRACKET, Stabilizer, Left - 8N & NAA Tractors . . .	1
--	* 230910 N.L.S.	BRACKET, Stabilizer, Right - 600 & 800 Tractor . . .	1
--	* 230911 N.L.S.	BRACKET, Stabilizer, Left - 600 & 800 Tractor . . .	1
--	148179	BRACKET, Stabilizer - 700 & 900 Tractor . . .	2
--	230044	PIN, Anchor	2
--	9N-508-B	ANCHOR, 5/8" Lockwasher & Nut	2
--	9N-573-B	CHAIN	2
--	@	RING, Linch Pin Locking	2
--	@	PIN, Linch	2
		MODEL 11-118 - HARROW HITCH (UNIVERSAL) Standard Equipment for Models 11-112, 113, 114 & 116	
49	112462	GUIDE, Front Hitch Tongue	1
50	112502	PIN, Guide) Guide to Inner Draft Bars. .	1
--		COTTER PIN, 3/16" x 1")	
51	112450	STOP, Angling (WA)	1
52	112524	PIN, Stop, 3/8") Stop to Guide	1
--		COTTER PIN, 1/8" x 3/4")	
--	112525	SPRING, Stop, Return	1
		@Replaced by 2N-608 Linch Pin & Ring Assembly	
	* " " 231254		

Harrow

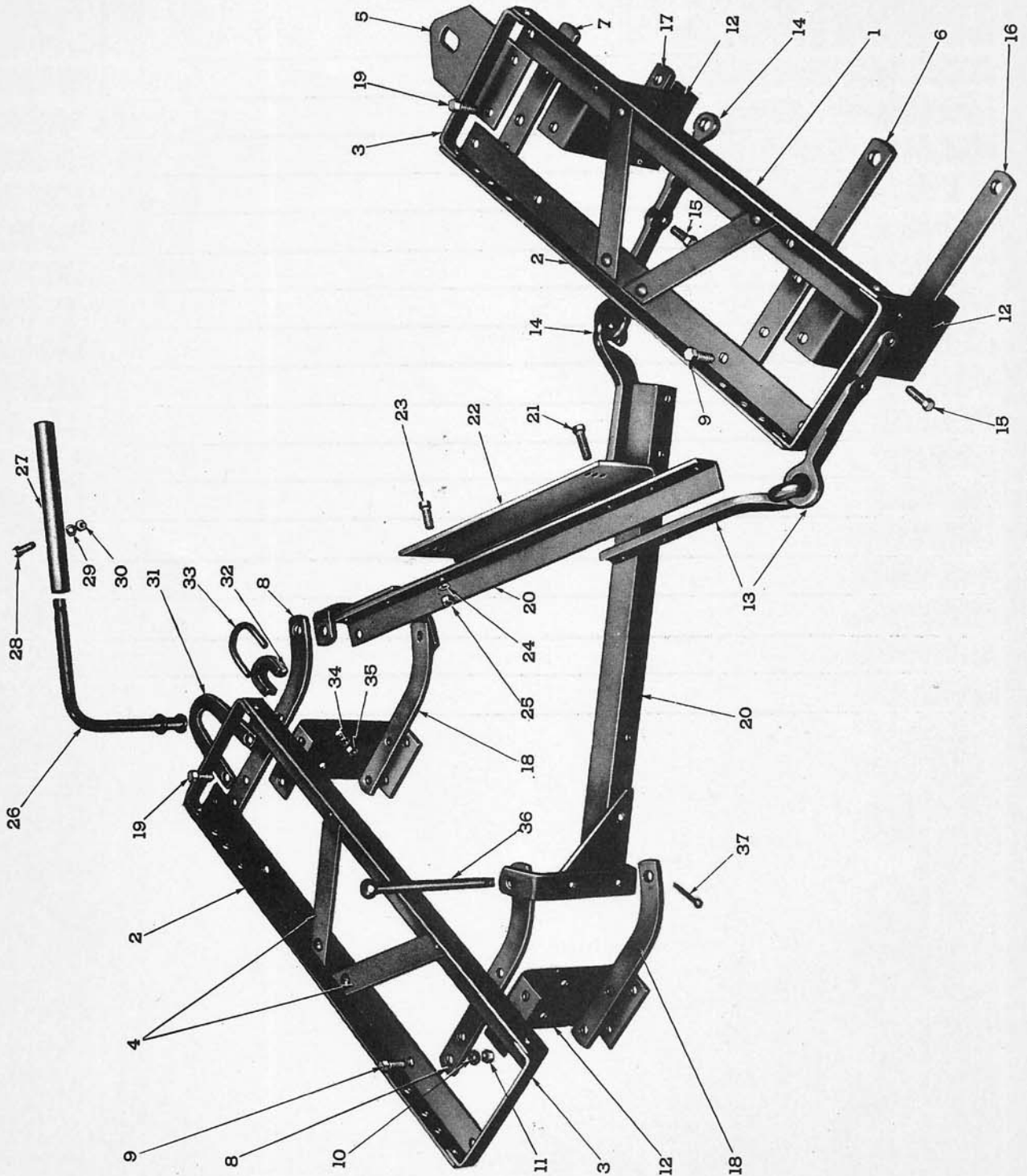


Figure 23 - Weight Box Assemblies

Harrow

FIG.	PART NO.	NAME AND DESCRIPTION	QTY REQ.
23		GROUP 1-6B - WEIGHT BOX ASSEMBLIES (Models 11-88, 90, 105, 112, 113, 114, 116) Series "F" (Pull Type)	
1	NLS	FRAME, Weight Box, Front	4
2	NLS	FRAME, Weight Box, Rear	4
3	112387	STRAP, End	8
4	NLS	BRACE, Weight Box	8
5	112342	RIVET, 3/8" x 15/16" Rd. Hd.	32
6	112358	LUG, Front Guide	2
7	112359	STRAP, Pull, Upper, Outer	2
8	112360	STRAP, Upper, Inner	2
9		STRAP, Pull, Upper, Rear	4
10		BOLT, 7/16" x 20 x 1-3/8" Hex Hd)	
11		LOCKWASHER, 7/16") Straps to Weight Box	16
12		NUT, 7/16" - 20 Hex.)	
12	112375	HANGER, Bearing	8
13	112447	LINK, Outer, Right (Forged Assy.)	1
14	112440	LINK, Inner, Right (Forged Assy.)	1
--	112446	LINK, Outer, Left (Forged Assy.)	1
--	NLS	LINK, Inner, Left (Forged Assy.)	1
15		BOLT, 7/16" - 20 x 1-3/8" Hex - Links to Hangers	8
16	112356	STRAP, Pull, Outer, Lower Front	2
17	112441	STRAP, Center, Lower Front	2
18	112361	STRAP, Pull, Lower Rear	4
19		BOLT, 7/16" - 20 x 1-3/4" Hex Hd)	
--		BOLT, 7/16" - 20 x 1-3/8" Hex Hd) Lugs, Cradles and Straps to Hangers	16
20	112485	DRAWBAR (Riveted Assembly) Right	2
--	112490	DRAWBAR (Riveted Assembly) Left	2
21		BOLT, 7/16" - 20 x 1-3/8" Hex - Drawbar to Links	4
22	112380	PLATE, Leveling	2
23		BOLT, 7/16" - 20 x 1-1/8" Hex)	
24		LOCKWASHER, 7/16") Leveling Plate to Drawbar	4
25		NUT, 7/16" - 20 Hex.)	
26	112501	ROD, Tie	2
27	112496	SLEEVE, Tie Rod	1
28		BOLT, 7/16" - 20 x 2" Hex Hd)	
29		LOCKWASHER, 7/16") Tie Rod to Sleeve	2
30		NUT, 7/16" - 20 Hex.)	
31	112499	CRADLE, Tie Rod	2
32	112500	CAGE, Tie Rod	2
33	133548	U-BOLT, 7/16" - 14)	2
34		LOCKWASHER, 7/16") Cage to Hanger	4
35		NUT, 7/16" - 14 Hex.)	4
36	112382	PIN, 5/8" x 9-3/4" Rd Hd Drld) Drawbars to Rear	
37		COTTER PIN, 3/16" x 1") Pull Straps	4
--	113710	DECAL	1

Harrow

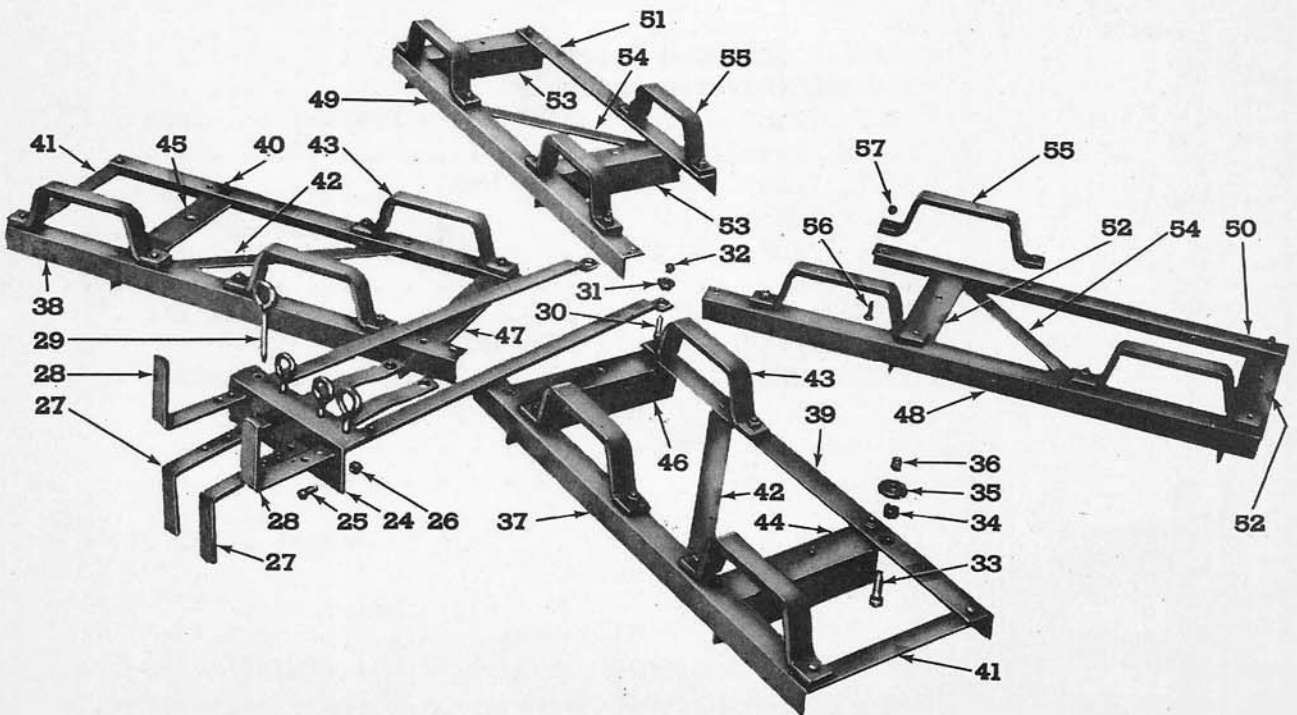
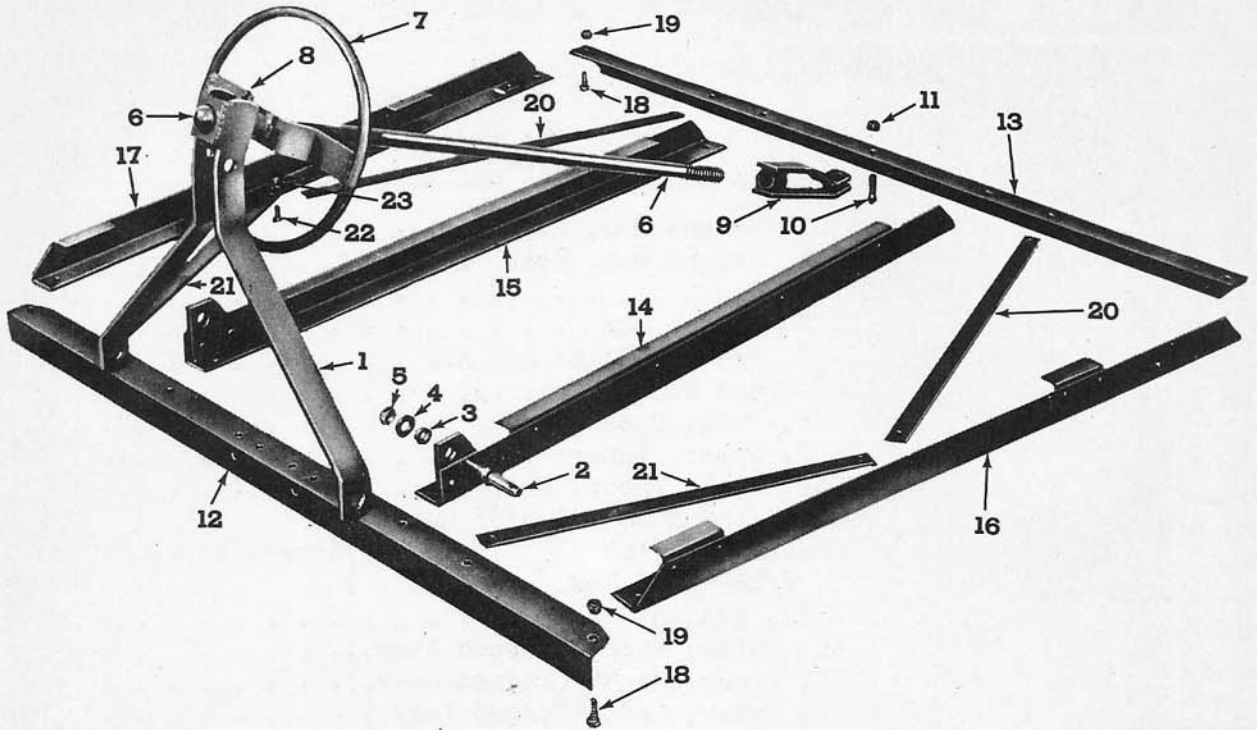


Figure 24 - Frame Assembly

Harrow

FIG.	PART NO.	NAME AND DESCRIPTION	QTY. REQ.
24		GROUP 1-7 - FRAME ASSEMBLY (Models 11-143, 144, 145, 146, 147 and 148) Series "G" (Lift Type) Adjusto-Flex	
1	*112977	BRACKET, Top Link (WA)	1
-	**110115	BRACKET, Top Link	2
2	*103283	PIN, Link	2
-	**131010	PIN, Link	2
3	*111519	BUSHING, 5/8" I.D. x 1-1/8" O.D. x 13/32	} Pins & Bracket to Frame Angles
-	**113338	SPACER	
4		WASHER, 5/8" Flat	
5		NUT, 5/8" - 18 Elastic Stop	
6	*112982	SHAFT, Adjusting Wheel	1
-	**113339	ROD, "A" Frame	1
7	*112983	WHEEL, Adjusting (WA)	1
8	*	PIN, 5/16" x 1-1/2 Groove - Wheel to Shaft	1
9	*112987	YOKE, Adjusting Wheel	1
-		PIN, 1/4" x 1-1/4 Groove - Yoke to Shaft	1
10		BOLT, 5/8" - 18 x 2-1/8 Hex	} Yoke to Frame Angle
11		NUT, 5/8" - 18 Elastic Stop	
12	NLS	ANGLE, Frame, Front	1
13	112991	ANGLE, Frame, Rear	1
14	NLS	ANGLE, Frame, Inner, L.H. (Riveted Assembly)	1
15	NLS	ANGLE, Frame, Inner, R.H. (Riveted Assembly)	1
16	NLS	ANGLE, Frame, Outer, L.H. (Riveted Assembly)	1
17	NLS	ANGLE, Frame, Outer, R.H. (Riveted Assembly)	1
18		BOLT, 1/2" - 13 x 1-1/4" Hex	} Angles to Angle
19		NUT, 1/2" - 13 Elastic Stop	
20	113019	BRACE, Main Frame Rear	2
21	113020	BRACE, Main Frame Front	2
-		BOLT, 7/16" - 20 x 1 Hex	4
22		BOLT, 7/16" - 20 x 1-1/4" Hex	} Braces to Angles
23		NUT, 7/16" - 20 Elastic Stop	
24	113032	LOCK, Gang Adjusting	1
25		BOLT, 7/16" - 20 x 1" Hex	} Lock to Frame Angle
26		NUT, 7/16" - 20 Elastic Stop	
27	113034	BAR, Adjusting, Short (Riveted Assembly)	2
28	113036	BAR, Adjusting, Long	2
29	113033	PIN, Adjusting Bar Lock	4
30		BOLT, 7/16" - 20 x 1-1/4" Hex	} Bars to Frame Angles
31	110439	BUSHING	
32		NUT, 7/16" - 20 Elastic Stop	
33		BOLT, 1/2" - 13 x 1-3/4" Hex	} Gang Pivot
34	113030	BUSHING, 9/16" I.D. x 7/8" O.D. x 5/8"	
35	113031	WASHER, 17/32" I.D. x 1-3/4" O.D. x 3/16"	
36		NUT, 1/2" - 13 Elastic Stop	
37	NLS	ANGLE, Front Gang Front, L.H.	1
38	113009	ANGLE, Front Gang Front, R.H.	1
39	113005	ANGLE, Front Gang Rear, L.H.	1
40	113008	ANGLE, Front Gang Rear, R.H.	1
		*Prior to) Serial #4001	
		** After)	

Harrow

FIG.	PART NO.	NAME AND DESCRIPTION	QTY. REQ.
24		GROUP 1-7 - FRAME ASSEMBLY (Models 11-143, 144, 145, 146, 147 and 148) (Cont'd)	
41	NLS	BRACE, Front Gang (Short)	2
42	NLS	BRACE, Front Gang (Long)	2
---		RIVET, 3/8" x 3/4" Rd. Hd.) Braces to Angles . . .	4
---		RIVET, 3/8" x 1-3/8" Rd. Hd.)	
43	113018*	RETAINER, Gang, Front	6
---		BOLT, 7/16" - 20 x 1-1/4" Hex)	6
---		BOLT, 7/16" - 20 x 1-1/2" Hex) Retainers to Angles .	2
---		NUT, 7/16" - 20 Elastic Stop)	8
44	113027	SUPPORT, Hanger, L.H. (Special)	1
45	113029	SUPPORT, Hanger, R.H. (Special)	1
46	NLS	SUPPORT, Hanger, L.H.	1
47	113028	SUPPORT, Hanger, R.H.	1
---		BOLT, 7/16" - 20 x 1-1/8" Hex)	6
---		BOLT, 7/16" - 20 x 1-1/4" Hex) Supports to Angles . .	4
---		NUT, 7/16" - 20 Elastic Stop)	10
48	113021	ANGLE, Rear Gang Front, L.H.	1
49	113023	ANGLE, Rear Gang Front, R.H.	1
50	113022	ANGLE, Rear Gang Rear, L.H.	1
51	113024	ANGLE, Rear Gang Rear, R.H.	1
52	113028	SUPPORT, Hanger, L.H.	2
53	NLS	SUPPORT, Hanger, R.H.	2
---		BOLT, 7/16" - 20 x 1-1/2" Plow - Support to Rr Angle	2
---		BOLT, 7/16" - 20 x 1-1/8" Hex)	6
---		BOLT, 7/16" - 20 x 1-3/4" Hex) Supports to Angles . .	4
---		NUT, 7/16" - 20 Elastic Stop)	12
54	113025	BRACE, Rear Gang	2
55	113018	RETAINER, Gang, Rear	6
56		BOLT, 7/16" - 20 x 1-1/2" Hex) Rets. to Rr. Gang Angles	8
57		NUT, 7/16" - 20 Elastic Stop)	
---	113713	DECAL, "Dearborn" (2-1/8" x 11 Horizontal)	1
<p>*NOTE: The Outer Front Gang Retainers which are Riveted in place must be serviced with the following parts:</p> <p style="margin-left: 40px;">1 - 113018 RETAINER</p> <p style="margin-left: 40px;">2 BOLT, 7/16" - 20 x 1-1/4" Hex. Hd.</p> <p style="margin-left: 40px;">2 NUT, 7/16" - 20 Elastic Stop</p> <p style="margin-left: 40px;">(It will also be necessary to enlarge the holes in the Front Gang Angles)</p>			

Harrow

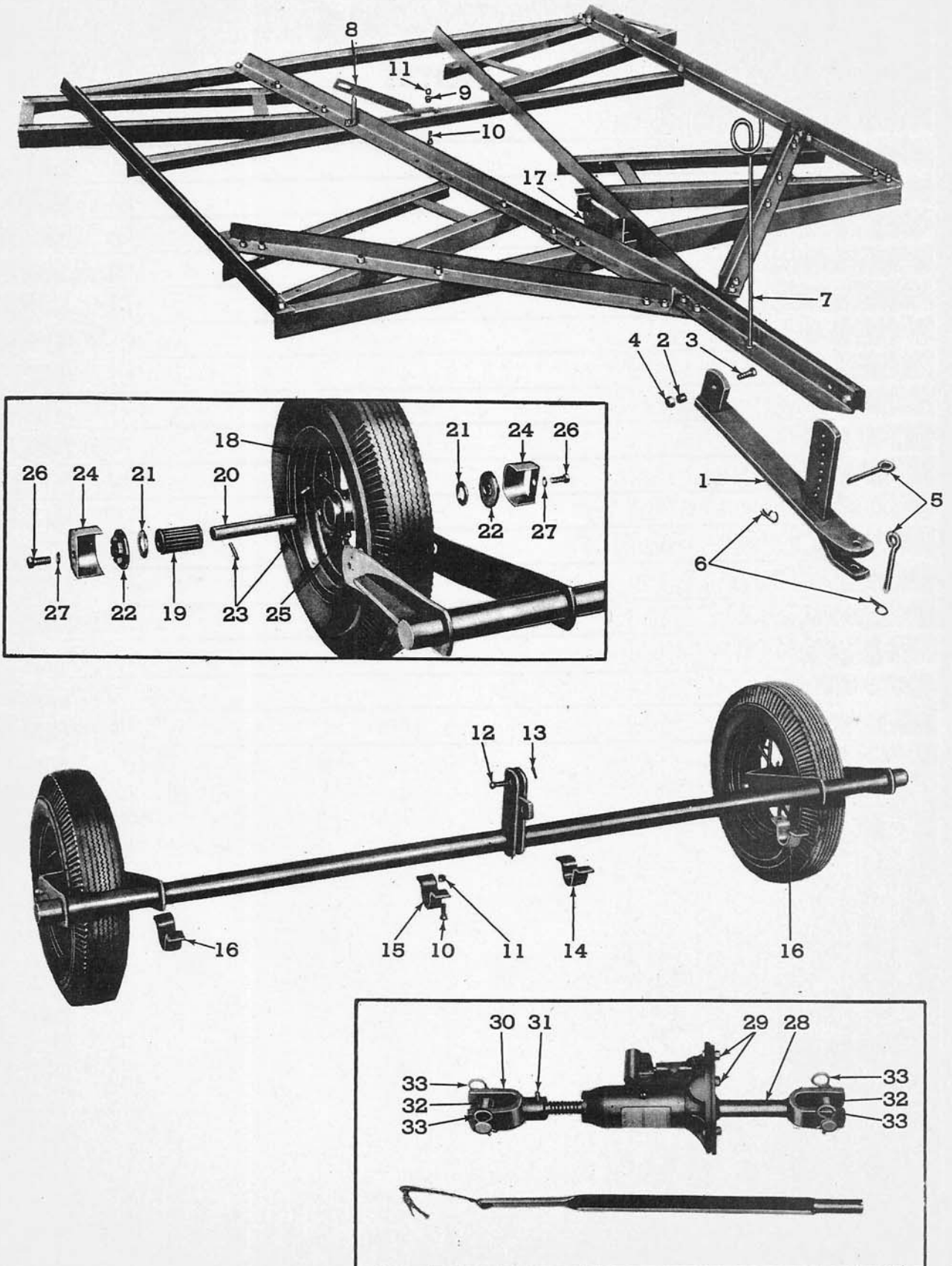


Figure 25 - Frame and Wheel Assemblies (Series "H")

Harrow

FIG.	PART NO.	NAME AND DESCRIPTION	QTY. REQ.
25		GROUP 1-8 - FRAME AND WHEEL ASSEMBLY (Models 11-153 thru 11-167) Series "H" (Pull Type)	
1	NLS	HITCH (WA)	1
2	NLS	BUSHING, 21/32" I.D.x1" O.D.x13/16")	
3		BOLT, 5/8" - 11 x 2-1/4" Hex Hd) Hitch to Tongue	
4		NUT, 5/8" - 11 Hex Elastic Stop) Angles . . .	1
5	113107	PIN, 5/8" x 4-13/16" Hitch)	
6	111856	PIN, 9/16" x 3" Self Locking) Hitch to Tongue & Tractor	2
7	113108	CARRIER, Hose (Use 1/2 - 13 Nut)	
8	NLS	STRAP - Transportation Lock	1
9	113062	BUSHING, Lock Strap	1
10		BOLT, 1/2" - 13 x 1-1/2" Hex Hd) Frame Attaching. .	42
11		NUT, 1/2" - 13 Hex Elastic Stop)	
12		PIN, 1/2" x 2 Drld. Rivet) Strap to Axle	1
13		COTTER PIN, 3/16" x 1")	
14	113073	RETAINER, Axle, Inner, L.H.	1
15	113074	RETAINER, Axle, Inner, R.H.	1
16	113075	RETAINER, Axle, Outer	2
17	NLS	BRACKET, Cylinder Mounting (WA)	1
--	113713	DECAL, "Dearborn" (2-1/8" x 11" Horizontal)	1
18	113113	WHEEL, 5.00 - 15	2
--	113114	SLEEVE, Bearing (2.228 I.D.x2-7/16" O.D.x4")	2
19	113115	BEARING ASSEMBLY	2
20	113118	SPINDLE, Wheel	2
21	113116	WASHER, 1-9/32" I.D.x2.441 O.D.x1/8" Flat-Bearing	4
22	113117	WASHER, Wheel	4
23		PIN, 1/4" x 2-1/2" Groov. - Wheel	4
24	113110	SHIELD, Dust (WA)	4
25		FITTING, 1/8" - 27 x 29/32", 67-1/2° Lube - Wheel	2
26		BOLT, 5/8" - 11 x 1-1/2" Hex) Wheel to Axle & Spindle	
27		LOCKWASHER, 5/8")	4
<u>HYDRAULIC LIFT JACK</u>			
28	NLS	PLATE, Hydraulic Jack Base (WA)	1
29		BOLT, 5/16" - 18 x 1" Hex Hd - Plate to Jack	3
30	NLS	YOKE, Extension (WA)	1
31		PIN, 1/4" x 2-1/4" Groov. - Yoke to Jack	1
32	143742	PIN, 1" x 3-1/8" Yoke) Yoke to Axle	2
33	111856	PIN, 9/64" x 3" Self Locking)	4
--	110329	RATCHETING LIFT JACK	AR

Harrow

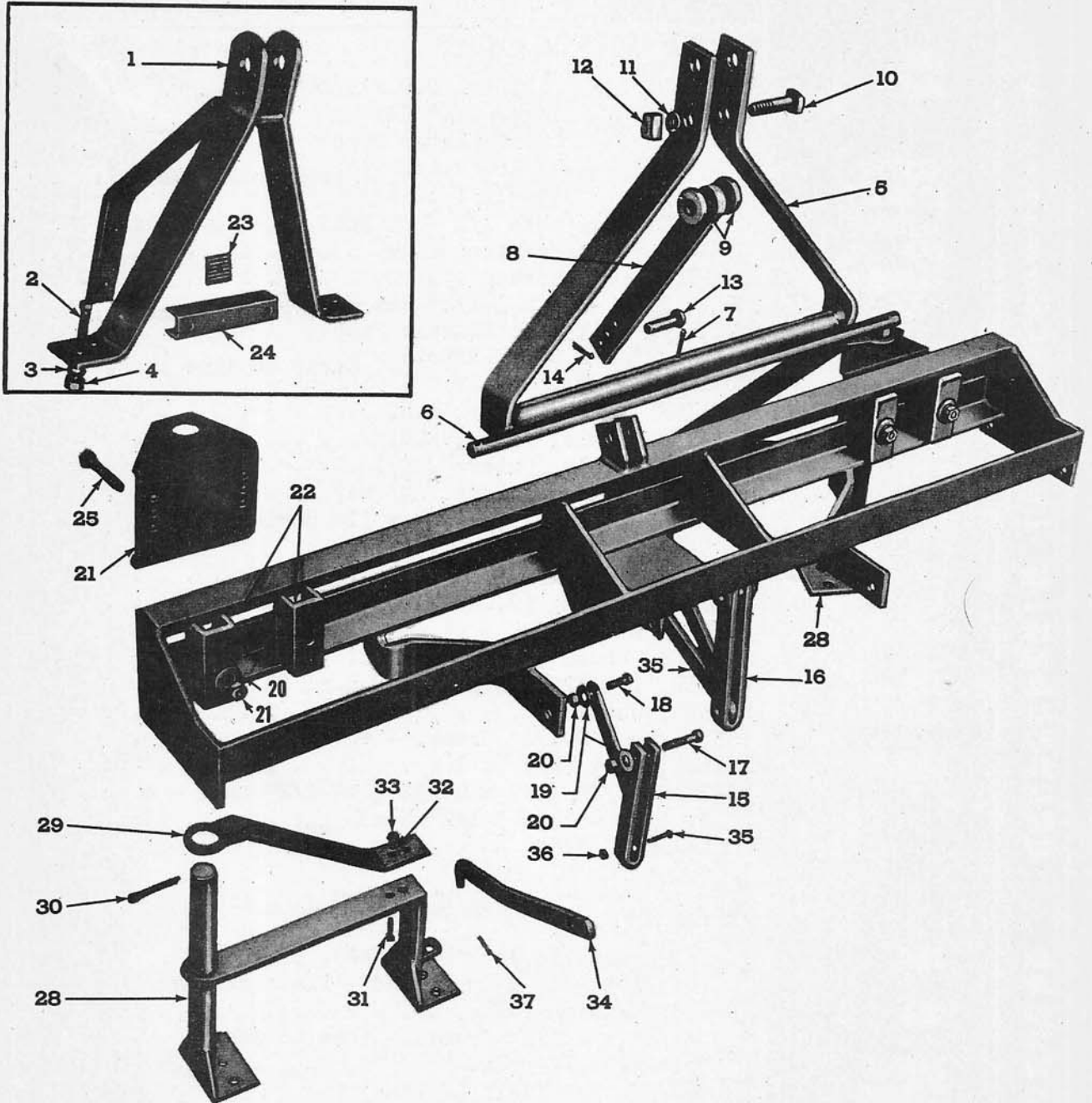


Figure 26 - Lift Frame Assembly

Harrow

FIG.	PART NO.	NAME AND DESCRIPTION	QTY. REQ.	
26		GROUP 1-9 - LIFT FRAME ASSEMBLY - REVERSIBLE BUSH & BOG (Lift Type)	11-34 11-36	11-140 11-141 11-142
1	110922	BRACKET, Top Link (WA)	1	-
2		BOLT, 7/16" - 20 x 1-1/2" Hex)		
3		LOCKWASHER, 7/16") Bracket to Frame	1	-
4		NUT, 7/16" - 20 Hex.)		
5	112917	BRACKET, Top Link, (WA)	-	1
6	112586	PIN, Pull	-	1
7		COTTER PIN, 3/16" x 1-3/4" - Pin to Bracket .	-	1
-	103497	PIN, Link (Use 5/8" Washer & Nut)	2	-
8	112241	BRACE, Top Link	-	1
9	112242	SPACER, Top Link	-	2
10		BOLT, 3/4" - 10 x 3-1/2" Hex) Brace & Spacer		
11		LOCKWASHER, 3/4") to Bracket . .	-	1
12		NUT, 3/4" - 10 Hex.)		
13		PIN, 3/4" x 2-1/2" Drld. Rivet) Brace to Frame	-	1
14		COTTER PIN, 1/4" x 2"		
15	112163	STIRRUP and BRACE, Right (WA)	1	1
16	112160	STIRRUP and BRACE, Left (WA)	1	1
17		BOLT, 5/8" - 18 x 3 Hex) Stirrup and Brace	2	2
18		BOLT, 5/8" - 18 x 1-3/4" Hex) to Frame . . .	2	2
19		WASHER, 5/8" Flat (U.S.))	4	4
20		NUT, 5/8" - 18 Hex.)	4	4
21	113735	SADDLE, Trunnion	1	2
22	113734	BLOCK, Adjusting (WA)	-	4
23	110952	LOCK, Trunnion Saddle	2	-
24	112091	GUIDE	2	-
25		BOLT, 3/4" x 16 x 4 Hex)		
26		WASHER, 3/4" Flat) Saddle to Frame . . .	4	4
27		NUT, 3/4" - 16 Hex.)		
28	112257	GANG FRAME, (WA)	2	2
29	NLS	BRACE, Gang Frame (WA)	2	2
30		COTTER PIN, 3/8" x 3" - Gang Frame	2	2
31		BOLT, 7/16" - 14 x 2 Hex)		
32		LOCKWASHER, 7/16") Brace to Gang Frame	4	4
33		NUT, 7/16" - 14 Hex.)		
34	112269	ARM, Adjusting Link, Right	1	1
-	112271	ARM, Adjusting Link, Left.	1	1
35		PIN, 3/8" x 1 Rd Hd Drilled) Arm to Stirrup		
36		COTTER PIN, 1/8" x 1") and Brace . . .	2	2
37		COTTER PIN, 1/4" x 1-1/2" - Arm to Gang Frame	2	2
-	109422	DECAL, "Dearborn" (2-1/8" x 11" Vertical) . .	1	1

Harrow

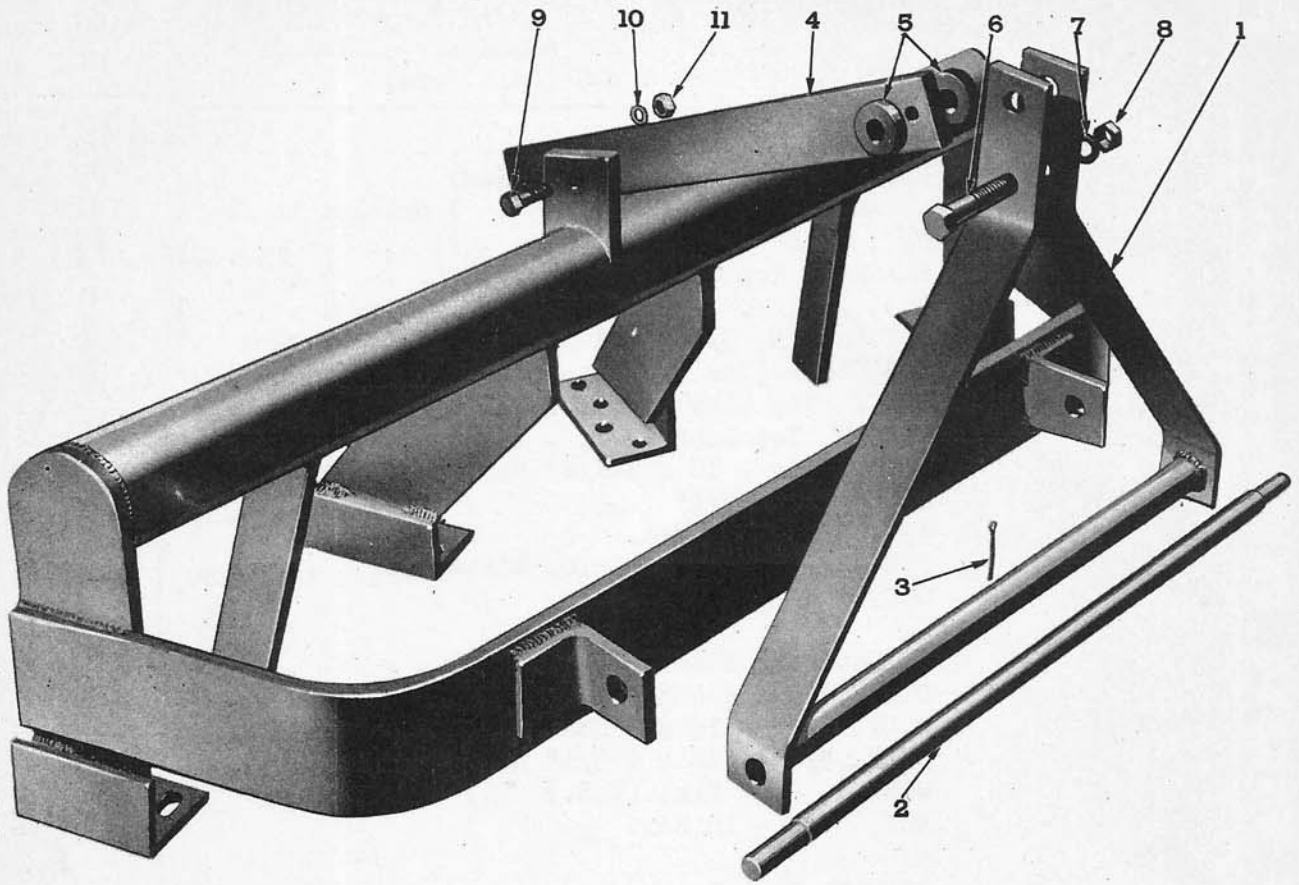


Figure 27 - Frame Assembly

FIG.	PART NO.	NAME AND DESCRIPTION	QTY. REQ.
27		GROUP 1-10A - FRAME ASSEMBLY (Models L11-120, 122, 124, 11-125, 126, and 127) BUSH & BOG (Lift Type)	
1	112917	BRACKET, Top Link (WA)	1
2	112586	PIN, Pull	1
3		COTTER PIN, 3/16" x 1-3/4"	1
4	NLS	BRACE, Frame	1
5	112242	SPACER, Top Link	2
6		BOLT 5/8" - 18 x 3-1/4" Hex)	
7		LOCKWASHER, 5/8")	
8		NUT, 5/8" - 18 Hex.)	1
9		BOLT, 5/8" - 18 x 2" Hex)	
10		LOCKWASHER, 5/8")	
11		NUT, 5/8" - 18 Hex.)	1
--	113713	DECAL, "Dearborn" (2-1/8" x 11" Horizontal)	1

Harrow

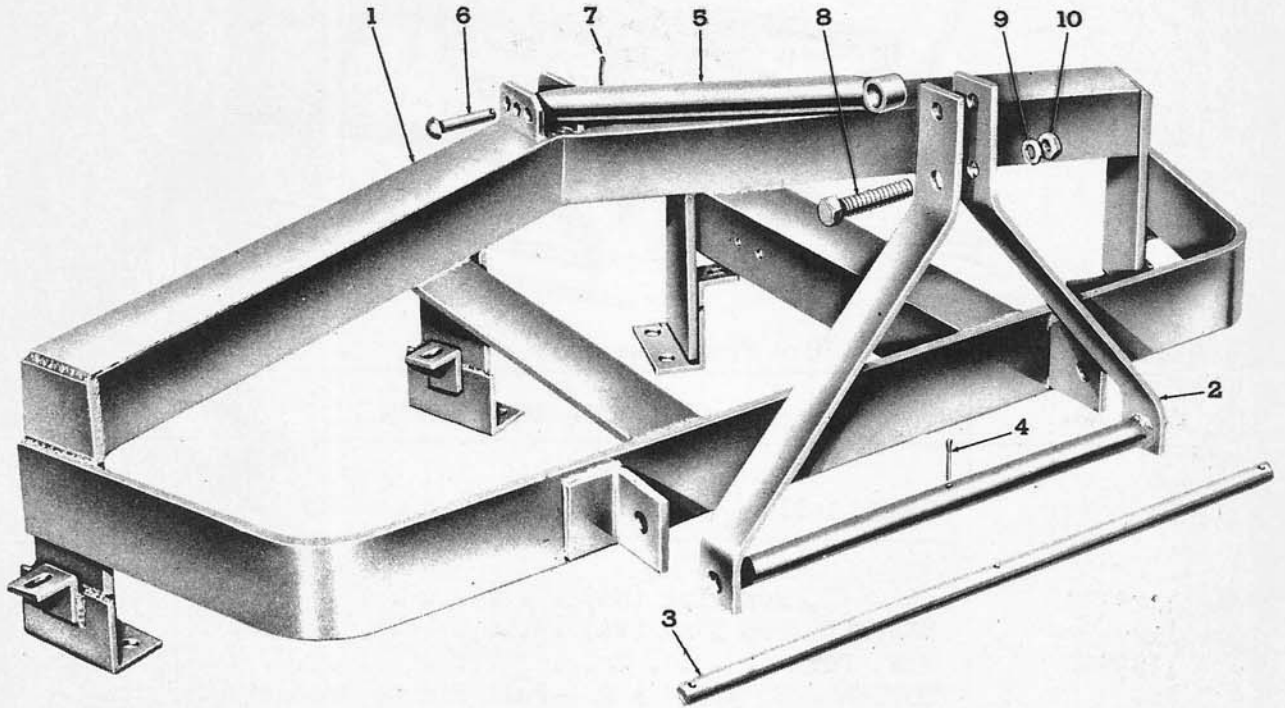


Figure 27A - Frame, Bush & Bog

FIG.	PART NO.	NAME AND DESCRIPTION	QTY. REQ.
27A		GROUP 1-10B - FRAME ASSEMBLY (Models 11-221, 222, & 223) BUSH & BOG (Lift Type)	
1	NLS	FRAME, Bush & Bog	1
2	113519	BRACKET, Top Link	1
3	112586	PIN, Pull	1
4		COTTER PIN, 3/16 x 1-3/4 - Pin to Bracket	1
5	NLS	BRACE, Frame	1
6	303942	PIN, 3/4 x 3-1/2 Button Hd., Drld	1
7		COTTER PIN, 1/4 x 1-1/2 - Pin	1
8		BOLT, 3/4 - 10 x 4 Hex)	
9		LOCKWASHER, 3/4) Brace to Bracket	1
10		NUT, 3/4 - 10 Hex.)	

Harrow

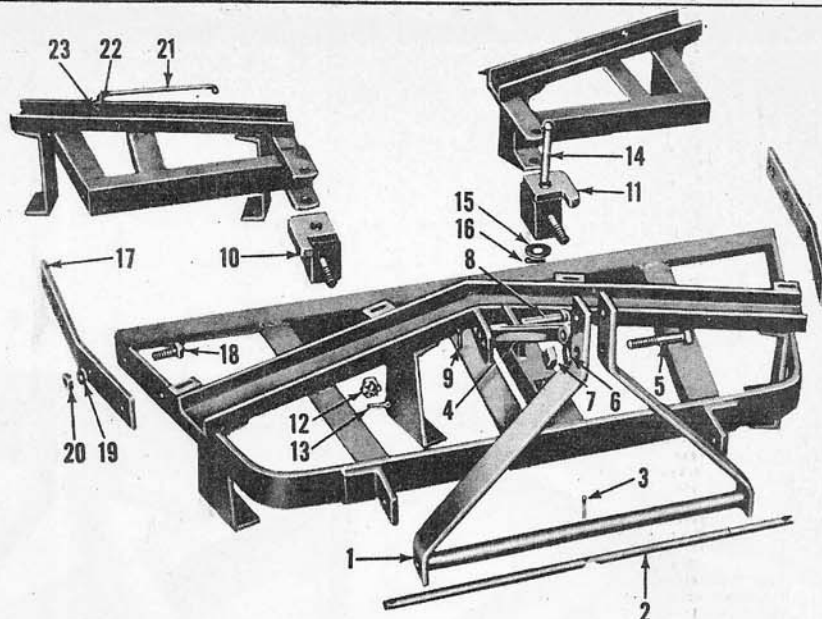


Figure 28 - Frame Assembly

FIG.	PART NO.	NAME AND DESCRIPTION	QTY. REQ.	
28		GROUP 1-11A - FRAME ASSEMBLY - FOLD-OVER	11-135	11-139 11-151
-	112830*	BRACKET, Top Link (WA)	1	-
1	112917**	BRACKET, Top Link (WA)	1	1
2	112586	PIN, Pull	1	1
3		COTTER PIN, 3/16" x 2 - Pull Pin to Bracket	1	1
4	112914	BRACE, Top Link (Cast)	1	1
5		BOLT, 3/4" - 10 x 4 Sq Hd)		
6		LOCKWASHER, 3/4") Bracket to Brace	1	1
7		NUT, 3/4" - 10" Sq.)		
8		PIN, 3/4" x 3-1/2" Button Hd Rivet) Brace to		
9		COTTER PIN, 3/16" x 2) Frt. Frame	1	1
-	NLS	PIN, Pivot - Frt. Frame to Rr. Frames	1	-
10	112916	HINGE, Pivot R.H. (WA)	-	1
11	112915	HINGE, Pivot L.H. (WA)	-	1
12		NUT, 1-8 Hex. Slotted) To Fit Frame	-	2
13		COTTER PIN, 1/4" x 1-1/2")		
14		PIN, 3/4" x 5-1/4" Drld Rivet)		
15		WASHER, 3/4" Flat) To Rear Frames	-	2
16		COTTER PIN)		
17	112936	STRAP, Adjusting	-	2
18		BOLT, 3/4" - 10 x 2 Sq Hd) Strap to Front and		
19		LOCKWASHER, 3/4") Rear Frame	-	8
20		NUT, 3/4" - 10 Sq.)		
21	112942	BAR, Rear Frame Tie	-	1
22		WASHER, 5/8" Flat) Bar to Frame	-	2
23		COTTER PIN, 5/32" x 1-1/4")		
--	113713	DECAL, "Dearborn" (2-1/8" x 11" Horizontal)	1	1

*Used Prior to Serial No. 11-135-3590.

**Used Effective with Serial No. 11-135-3590.

Harrow

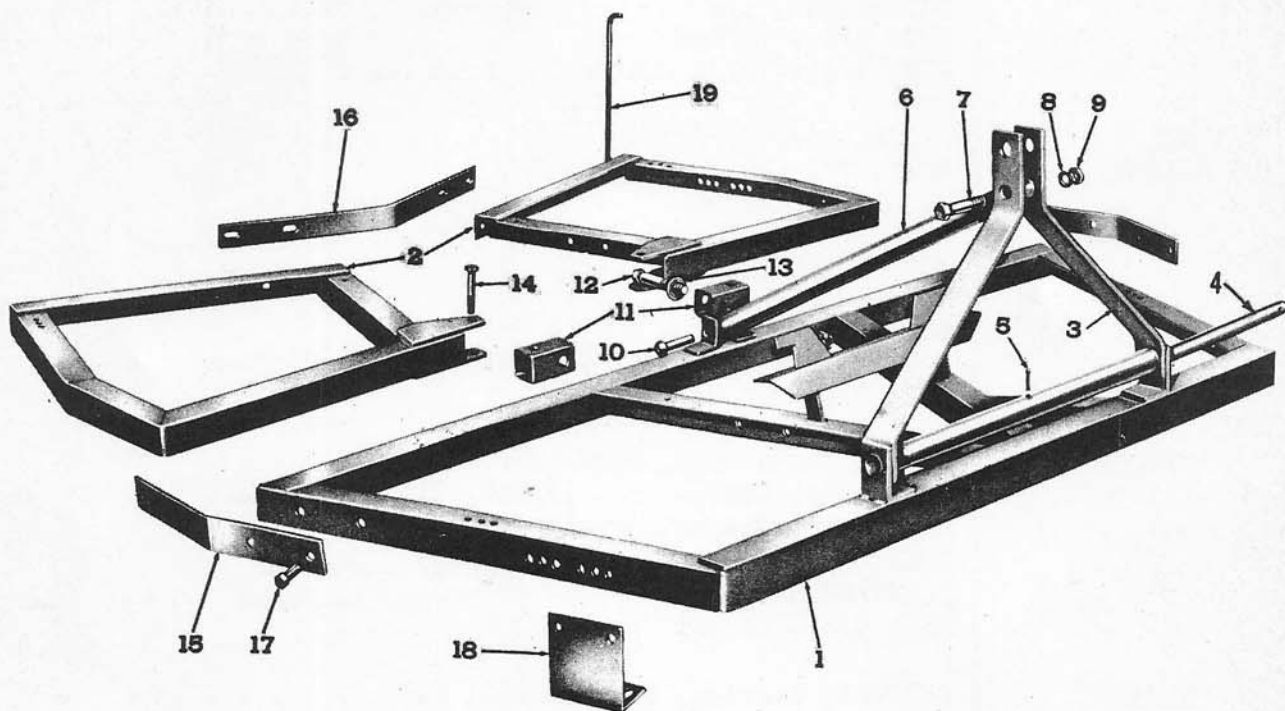


Figure 28B - Frame, Fold-Over

FIG.	PART NO.	NAME AND DESCRIPTION	QTY. REQ.	
28B			11-212	
			11-213	11-214
		GROUP 11B - FRAME ASSEMBLY, FOLD-OVER	11-214	11-216
1		FRAME, Fold-Over (Not Serviced)	1	1
2		FRAME, Rear, Left & Right (Not Serviced)	1	1
3	113519	BRACKET, Top Link (WA)	1	-
-	113520	BRACKET, Top Link (WA)	-	1
4	112586	PIN, Pull	1	-
-	113554	PIN, Pull	-	1
5		COTTER PIN, 3/16 x 1-3/4 - Pin	1	1

Harrow

FIG.	PART NO.	NAME AND DESCRIPTION	QTY. REQ.	
28B			11-212	
			11-213	11-215
		GROUP 1-11B - FRAME ASSEMBLY (Cont'd)	11-214	11-216
6	113536	BRACE, Frame	1	-
-		BRACE, Frame (Use 113536 plus 354433-S8Washer)	-	1
7		BOLT, 3/4 - 10 x 4 Hex)		
8		LOCKWASHER, 3/4) Brace to Bracket . .	1	1
9		NUT, 3/4 - 10 Hex)		
10	303942	PIN, 3/4 x 3-1/2 Button Hd, Drld	1	1
11	NLS	HINGE, Pivot	2	2
12	113575	BOLT, 7/8 - 9 x 6-1/2 Sq Hd)	2	2
13		WASHER, 7/8 Flat) Pivot Hinge to	4	4
--		NUT, 7/8 - 9 Hex Slotted) Front Frame	2	2
--		COTTER PIN, 3/16 x 1-1/2)	2	2
14		BOLT, 3/4 - 10 x 4 Hex)		
--		LOCKWASHER, 3/4) Pivot Hinge to Rr Frame	2	2
--		NUT, 3/4 - 10 Hex)		
15	113497	STRAP, Connecting, Side	2	2
16	113530	STRAP, Rr. Connecting, 11-212, 214, 215 . . .	1	1
--	NLS	STRAP, Rr. Connecting, 11-213, 216	1	1
17		BOLT, 5/8 - 11 x 1-1/2 Hex) Rear and Side		
--		LOCKWASHER, 5/8) Straps to Frame	12	12
--		NUT, 5/8 - 11 Hex)		
18	113553	SUPPORT, Bearing, 8 on 11-213, 216	4	4
--	113514	SUPPORT, Bearing, Rear, 11-212, 214, 215 . . .	4	4
--		BOLT, 5/8 - 11 x 1-1/2 Hex)		
--		LOCKWASHER, 5/8) Support to Frame .	8	8
--		NUT, 5/8 - 11 Hex)		
19	112942	BAR, Tie	1	1
--		COTTER PIN, 1/8 x 1 - Rear	2	2

Harrow

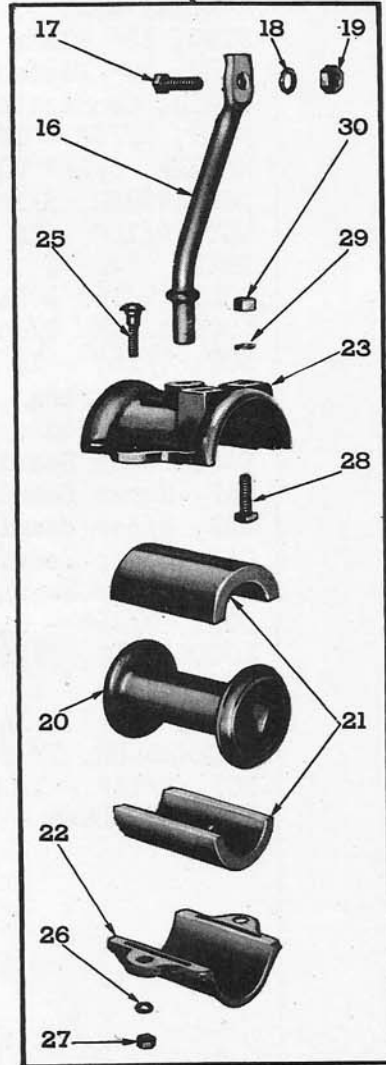
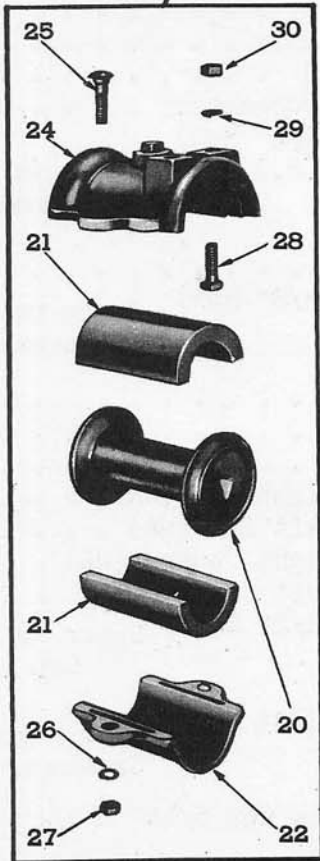
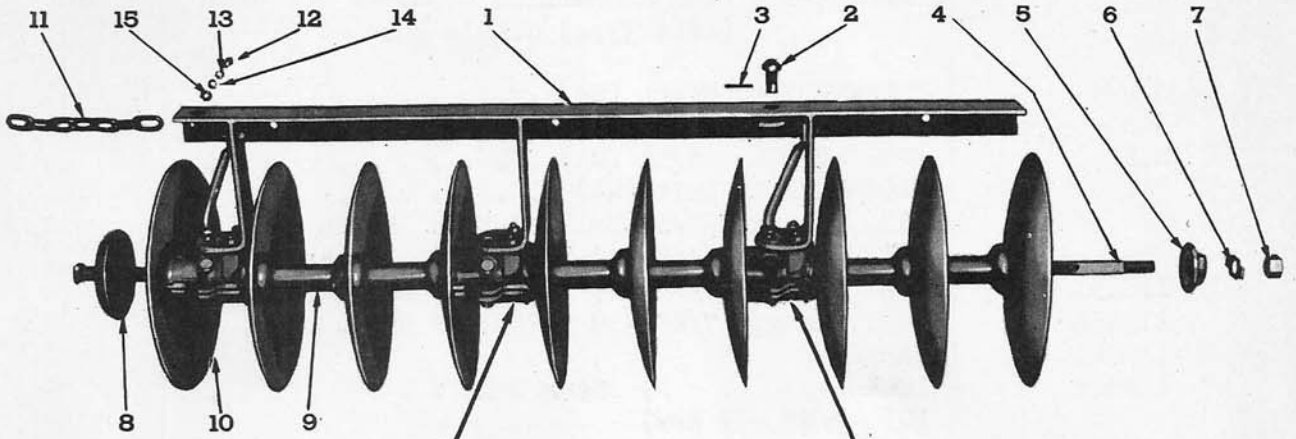


Figure 29 - Gang Assembly

Harrow

FIG.	PART NO.	NAME AND DESCRIPTION	QTY. REQ.	
			11-1	11-2
29		GROUP 2-1 - GANG ASSEMBLIES - Series "A" (Lift Type) Single Disc	11-1	11-3
-	NLS	CROSSMEMBER, Right (WA)	1	-
1	NLS	CROSSMEMBER, Left (WA)	1	-
-	NLS	CROSSMEMBER, Right (WA)	-	1
-	NLS	CROSSMEMBER, Left (WA)	-	1
2		PIN, 3/4" x 1-3/4" Drilled End) Brace to		
3		COTTER PIN, 3/16" x 1-1/4") Crossmember .	2	2
4	110031	BOLT, Gang, (7/8" - 9 x 61-1/2" Sq)	2	-
-	110454	BOLT, Gang, (7/8" - 9 x 74-1/2" Sq)	-	2
5	110044	WASHER)		
6	110045	LOCK) Gang Bolt	2	2
7		NUT, 7/8" - 9 Hex)		
8	110032	BUMPER	2	2
9	110033	SPACER, Disc	12	14
10	110588	DISC, 16" Plain (11-1&3)	20	24
--	110589	DISC, 18" Plain (11-2)	20	-
11	NLS	CHAIN, Connecting - Crossmember	1	1
12		BOLT, 5/16" - 18 x 1-1/4" Hex)		
13		WASHER, 5/16" Flat (U.S.)) Chain to		
14		LOCKWASHER, 5/16") Crossmembers .	2	2
15		NUT, 5/16" - 18 Hex.)		
16	110503	BRACE, Leg	4	4
17		BOLT, 7/16" - 14 x 1-3/8" Hex) Brace to		
18		LOCKWASHER, 7/16") Crossmember	4	4
19		NUT, 7/16" - 14 Hex.)		
20	110037	SPOOL, Bearing	6	8
21	110038	BEARING, Wood	12	16
22	110039	CAP, Lower Bearing	6	6
--	111610	CAP, Upper Bearing, Right End (WA)	2	2
23	111612	CAP, Upper Bearing, Left End (WA)	2	2
--	111611	CAP, Upper Bearing, Right Center (WA)	1	2
24	111613	CAP, Upper Bearing, Left Center (WA)	1	2
25		BOLT, 7/16" - 14 x 1-1/2" Carr) Upper to Lower		
26		LOCKWASHER, 7/16") Cap	12	16
27		NUT, 7/16" - 14 Hex.)		
28		BOLT, 7/16" - 14 x 1-3/8" Hex) Upper Bearing to		
29		LOCKWASHER, 7/16") Crossmember . .	12	16
30		NUT, 7/16" - 14 Hex.)		
--		FITTING, Lube - Bearing Cap 5/16" x 3/4" Str Dr	6	8

Harrow

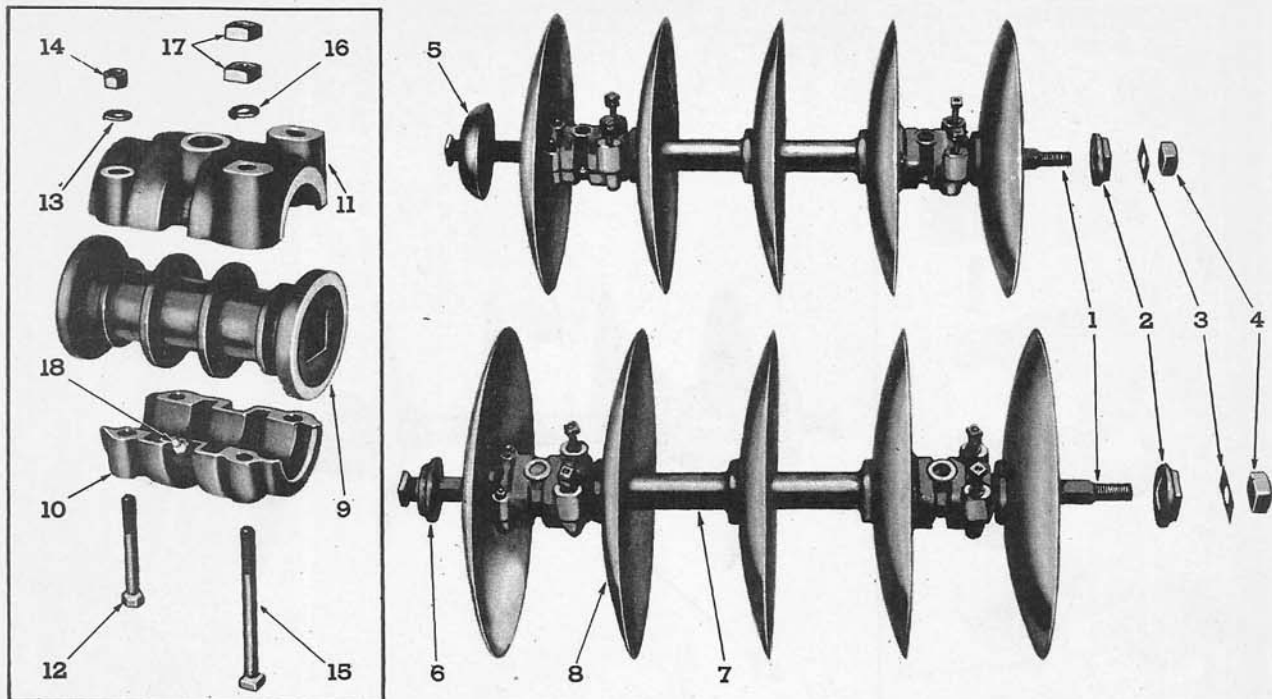


Figure 30 - Disc and Bearing Assemblies

FIG.	PART NO.	NAME AND DESCRIPTION	QTY.	REQ.
30		GROUP 2-2 - DISC AND BEARING ASSEMBLIES Series "B"	11-5 11-7	11-6 11-8
-	110157	BOLT, Gang, 6' (1-8 x 32-1/4" Sq)	4	-
1	110158	BOLT, Gang, 7' (1-8 x 39-1/2" Sq)	-	4
2	110168	WASHER		
3	111773	LOCK) Gang Bolt	4	4
4		NUT, 1" - 8 Sq)		
5	110159	BUMPER, Front Gang	2	2
6	110168	WASHER, Gang Bolt (Head End)	2	2
7	110163	SPACER, Disc	8	12
8	110164	DISC, 16" Plain (11-5&6)	20	24
-	110166	DISC, 18" Plain (11-7&8)	20	24
-	119912	DISC, Notched 18" Dia. (Optional Equipment)		
9	110160	SPOOL, Bearing	8	8
10	@	CAP, Lower Bearing	8	8
11	@	CAP, Upper Bearing	8	8
12		BOLT, 7/16" - 20 x 3-1/4" Hex) Upper to Lower		
13		LOCKWASHER, 7/16") Bearing Cap	16	16
14		NUT, 7/16" - 20 Hex.)		
15		BOLT, 7/16" - 20 x 5" Hex) Upper to Lower Bearing	16	16
16		LOCKWASHER, 7/16") Cap to Frame	16	16
17		NUT, 7/16" - 20 Hex.)	32	32
18		FITTING, Lube - Lower Bearing Cap		
		1/4" - 27 x 3/4" Str. (Use 1/8-27 W/110173 Cap)	8	8
--	87601-S8	PLUG, Pipe 1/8 - 27 (Use when Lube Fitting is not Req'd)	AR	AR

Harrow

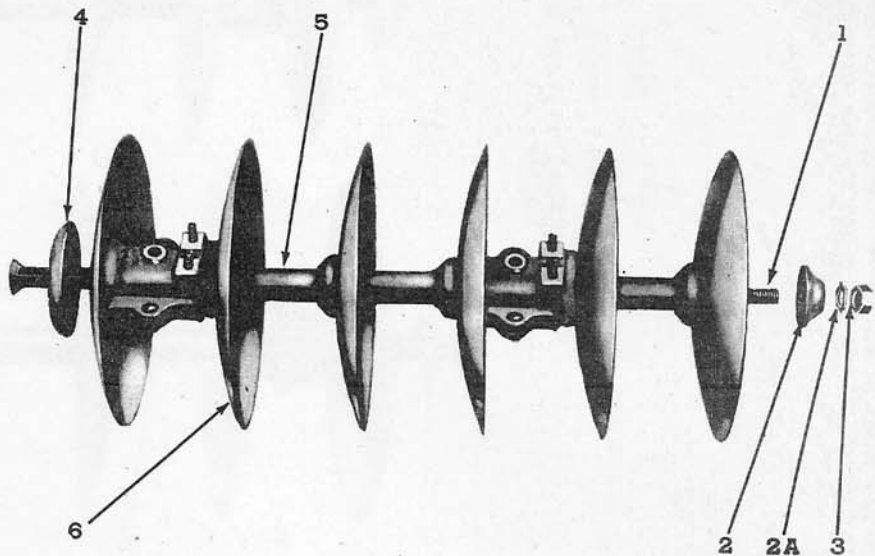
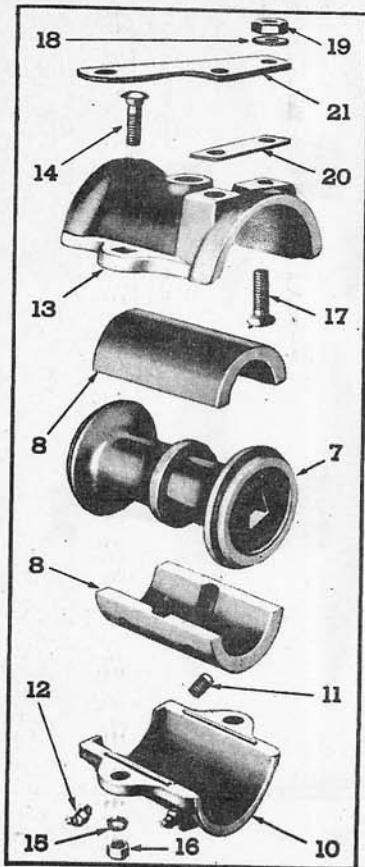


Figure 31 - Disc and Bearing Assemblies

FIG.	PART NO.	NAME AND DESCRIPTION	QTY. REQ.		
			11-12 11-12B	11-13 11-14	11-15
31		GROUP 2-3 - DISC AND BEARING ASSEMBLIES Series "C"			
-	110582	BOLT, Gang, Rt. 5' (7/8"-9x28-7/16" Sq.)	2	-	-
-	110583	BOLT, Gang, Lt. 5' (7/8"-9x28-7/16" Sq.)	2	-	-
-	110584	BOLT, Gang, Rt. 6' (7/8"-9x35" Sq.)	-	2	-
-	110585	BOLT, Gang, Lt. 6' (7/8"-9x35" Sq.)	-	2	-
-	110586	BOLT, Gang, Rt. 7' (7/8"-9x41-1/2" Sq.)	-	-	2
1	110587	BOLT, Gang, Lt. 7' (7/8"-9x41-1/2" Sq.)	-	-	2
2	110044	WASHER, Gang Bolt	4	4	4
2A	110045	LOCK, Gang Bolt	4	4	4
-		NUT, 7/8 - 9 Heavy Hex R.H. Thread	2	2	2
3		NUT, 7/8 - 9 Heavy Hex L.H. Thread	2	2	2
4	110444	BUMPER, Gang Bolt	4	4	4
5	110033	SPACER, Disc	8	12	16
6	110588	DISC, 16" Plain (11-13&15)	-	24	28
-	110589	DISC, 18" Plain (11-12, 12B&14)	20/10	24	-
-	119912	DISC, Notched 18" (11-12B)	10	-	-
7	110446	SPOOL, Bearing	8	8	8
8	110432	BEARING, Wood, Upper & Lower	16	16	16
-	110447	CAP, Bearing, Lower Right	4	4	4
10	110448	CAP, Bearing, Lower Left	4	4	4

Harrow

FIG.	PART NO.	NAME AND DESCRIPTION	QTY. REQ.
31		GROUP 2-3 - DISC AND BEARING ASSEMBLIES (Cont'd)	11-12 11-12B 11-13 11-14
11	110400	ADAPTER) Bearing Box	
12		FITTING, Lube, 1/8"-27x1-1/2", 45°) Lower Cap . . .	16
13	110449	CAP, Front Bearing Upper	4
--	110594	CAP, Rear Bearing Upper	4
14		BOLT, 7/16 - 20 x 1-7/16" Carr)	16
--		BOLT, 7/16"- 20 x 1-3/8" Hex) Cap to Lower Cap	8
15		LOCKWASHER, 7/16") and Hanger	24
16		NUT, 7/16" - 20 Hex.)	24
17		BOLT, 7/16" - 20 x 2" Sq) Rear Bearing Draft Plate &	
18		LOCKWASHER, 7/16") Spacer to Hanger	8
19		NUT, 7/16" - 20 Hex.)	
20	44736-S8	SPACER, Rear Brg Draft Plate (Flat Washer 1/2") . .	8
21	110428	PLATE, Rear Bearing Draft	4

Harrow

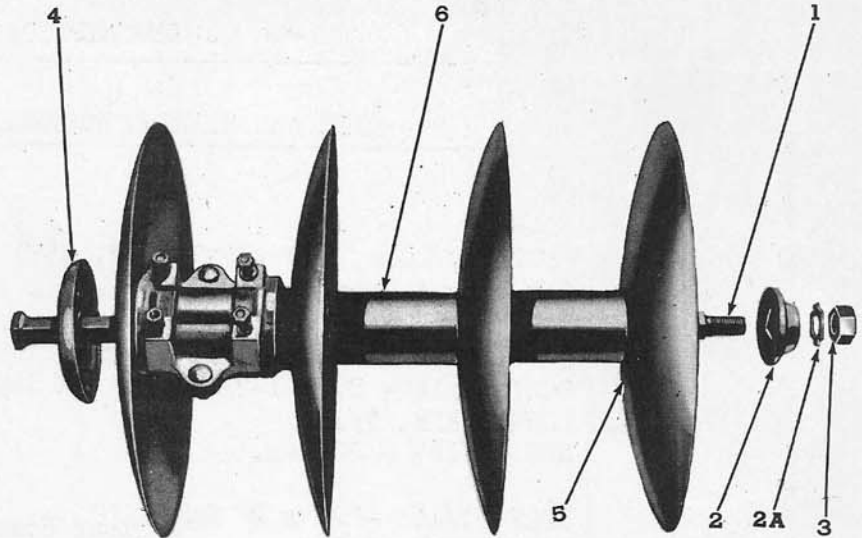
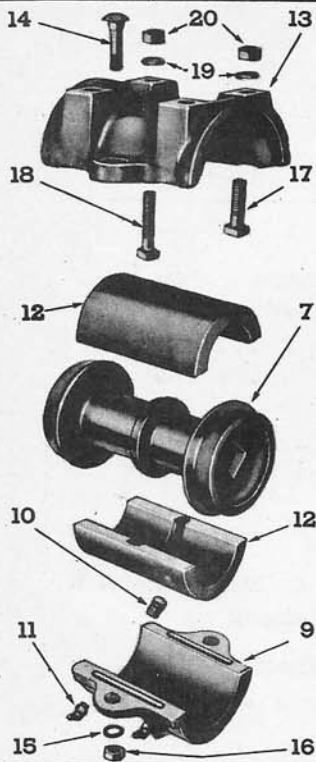


Figure 32 - Disc and Bearing Assemblies

		NAME AND DESCRIPTION	QTY. REQ.		
			11-59		
		GROUP 2-4 - DISC AND BEARING ASSEMBLIES	11-60	11-61	
		Series "D"	11-60E	11-62	11-63
FIG.	PART NO.				
32	111737	BOLT, Gang Right 6'	-	-	2
-	111738	BOLT, Gang Left 6'	-	-	2
1.	111450	BOLT, Gang, 6' (7/8"-9x31-3/16" Sq)	4	-	-
-	111518	BOLT, Gang, 7' (7/8"-9x38-7/16" Sq)	4	4	-
2	110044	WASHER, Gang Bolt	4	4	4
2A	110045	LOCK, Gang Bolt	4	4	4
3		NUT, 7/8" - 9 Heavy Hex R.H. Thrd) Gang	-	2	2
-		NUT, 7/8" - 9 Heavy Hex L.H. Thrd) Bolt	-	2	2
-		NUT, 3/4" - 10 Hex.	4	4	4
4	110444	BUMPER	4	4	4
5	110589	DISC, Plain 18"	AR	AR	-
-	110588	DISC, Plain 16"	AR	AR	20
-	119912	DISC, Notched 18"	AR	-	-
6	111447	SPACER, Disc	8	12	8
7	111457	SPOOL, Bearing	8	8	-
-	111747	SPOOL, Bearing	-	-	8
9	110447	CAP, Lower Bearing, Right	4	4	4
-	110448	CAP, Lower Bearing, Left	4	4	4
10	110400	ADAPTER, Lower Bearing Cap	16	16	16
11		FITTING, Lube - 1/8" - 27 x 1-1/32", 45°	16	16	16
12	110432	BEARING, Wood	16	16	16
13	111476	CAP, Upper Bearing	8	8	-
-	110594	CAP, Upper Bearing	-	-	8
14		BOLT, 7/16" - 12 x 1-1/2" Carr)			
15		LOCKWASHER, 7/16") Upper to	16	16	16
16		NUT, 7/16" - 20 Hex.) Lower Cap			
17		BOLT, 7/16" - 20 x 1-1/2" Hex)	16	16	16
18		BOLT, 7/16" - 20 x 2" Hex) Cap to	16	16	16
19		LOCKWASHER, 7/16") Hanger	32	32	16
20		NUT, 7/16" - 20 Hex.)			

Harrow

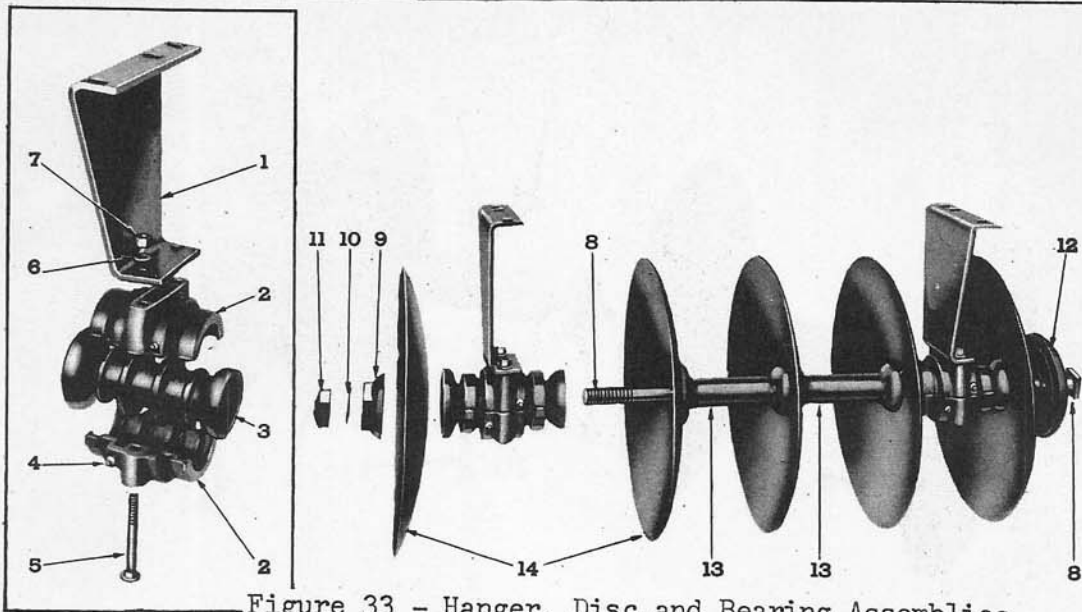


Figure 33 - Hanger, Disc and Bearing Assemblies

FIG.	PART NO.	NAME AND DESCRIPTION	QTY. REQ.															
33		GROUP 2-5A - HANGER, DISC AND BEARING ASSEMBLIES (Models 11-85, 86, 87, 93, 98, 99, 102, 132, 133, 134, 143 thru 148) Series "E" and "G"																
1	111792	HANGER, Bearing, Left Front & Right Rear	4															
-	111793	HANGER, Bearing, Right Front & Left Rear	4															
2	112707	CAP, Bearing	16															
3	111778	SPOOL, Bearing	8															
4		FITTING, Lube, 1/8" - 27 x 3/4" Str.	8															
5		BOLT, 7/16" - 20 x 5-1/4" Carr)																
6		LOCKWASHER, 7/16") Caps to Hanger	16															
7		NUT, 7/16" - 20 Hex.)																
<table border="1" style="float: right; border-collapse: collapse; text-align: center;"> <thead> <tr> <th colspan="3">Model No. 11</th> </tr> </thead> <tbody> <tr> <td>85,93</td> <td>87,146</td> <td>98,132</td> </tr> <tr> <td>143</td> <td>147</td> <td>99,133</td> </tr> <tr> <td>145</td> <td>148</td> <td>102</td> </tr> <tr> <td>---</td> <td>---</td> <td>134</td> </tr> </tbody> </table>				Model No. 11			85,93	87,146	98,132	143	147	99,133	145	148	102	---	---	134
Model No. 11																		
85,93	87,146	98,132																
143	147	99,133																
145	148	102																
---	---	134																
-	112494	BOLT, Gang 5' (15/16" - 12 x 25 Rd)	4															
8	111770	BOLT, Gang 6' (15/16" - 12 x 32-1/8 Rd)	4															
-	111771	BOLT, Gang 7' (15/16" - 12 x 39-3/8 Rd)	4															
9	111772	WASHER) Gang Bolt	4															
10	111773	LOCK) Gang Bolt	4															
11	111774	NUT)	4															
12	107653	BUMPER	4															
13	111777	SPACER, Disc	4															
-	111782	DISC, 18" Dia. Plain	8															
14	111781	DISC, 16" Dia. Plain	12															
-	110967	DISC, 18" Notched	4															
-	112517	DISC, 20" Dia. Plain	AR															
-	112483	DISC, 20" Notched	AR															
-	NLS	SPACER, Hanger	AR															
-	NLS	STRUT, Short Blade	AR															
			8															
			2															

Harrow

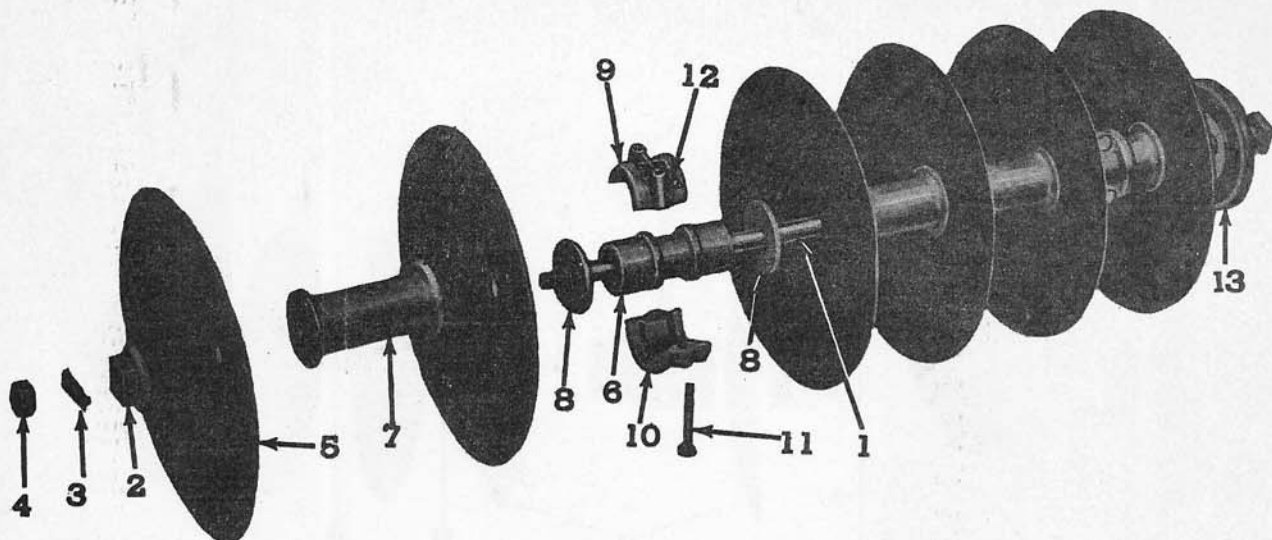


Figure 33A - Disc & Bearing Assemblies

FIG.	PART NO.	NAME AND DESCRIPTION	QTY. REQ.
33A		GROUP 2-5B - NEW STYLE DISC & BEARING ASSEMBLIES Series "E"	132, 3&4
1	114932	BOLT, Gang, 5 Ft (1 - 8 x 25-3/8)	4
2	113782	WASHER)	
3	111773	LOCK, Strap) Gang Bolt	4
4	34678-S8	NUT, 1-8)	
5	111782	DISC, 18" Plain	AR
-	110967	DISC, 18" Notched	AR
-	112517	DISC, 20" Plain	AR
-	112483	DISC, 20" Notched	AR
6	*111498	SPOOL, Bearing	8
7	113736	SPACER, Disc	4
8	100529	WASHER, Bearing	16
9	*111499	CAP, Bearing, Top	8
10	*111501	CAP, Bearing, Lower	8
11	378018-S8	BOLT, 7/16 - 14 x 4 Carr.	16
12	87901-S8	FITTING, Lube, 1/8 - 27 x 3/4 Str	8
13	107653	WASHER, Gang Bolt End 6.5 OD Front, Inner	2
--	113781	WASHER, Gang Bolt End 4 OD Rear, Outer	2
<p>*When replacing prior Spool and/or Caps, the current parts (111498, 111499 and 111501) must be used as a set.</p>			

Harrows

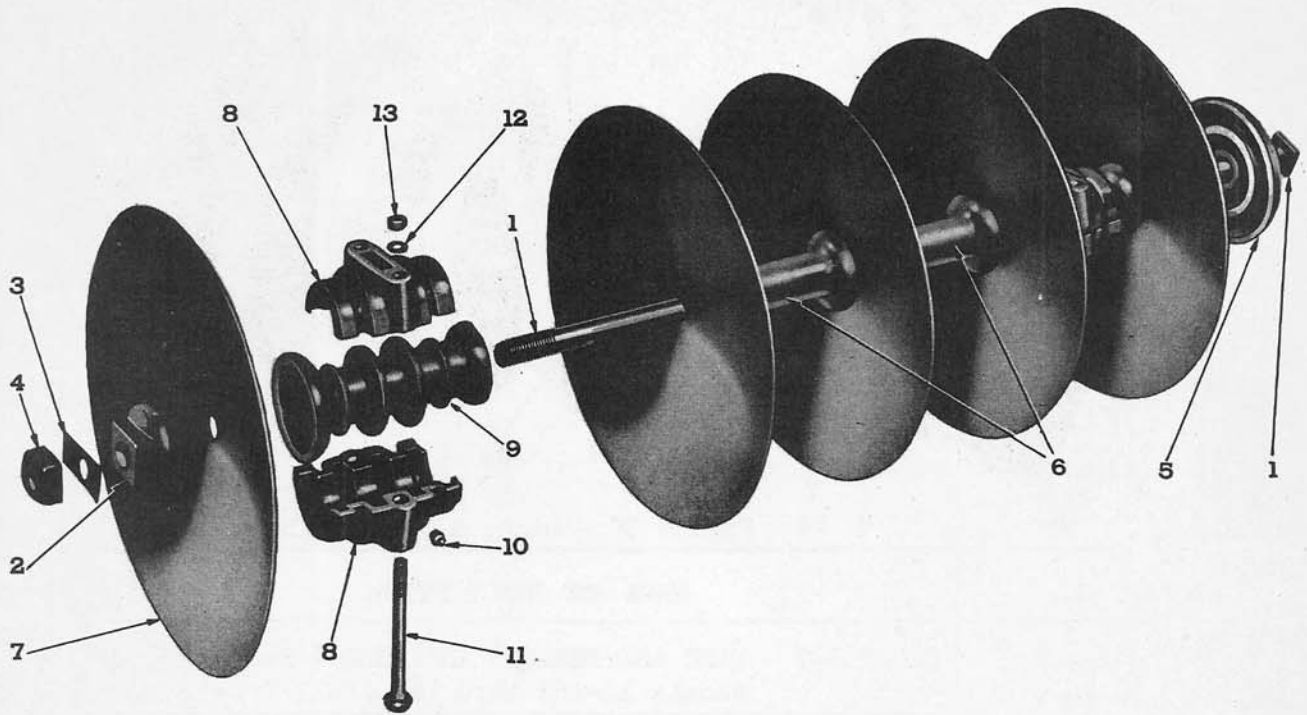


Figure 34 - Disc and Bearing Assemblies

FIG.	PART NO.	NAME AND DESCRIPTION	QTY. REQ.		
34		GROUP 2-6 - DISC AND BEARING ASSEMBLIES Series "F" (Pull Type)	Model No. 11-		
			88,105		
			89,112	90	135*
			113	114	139*
			116		
1	111770	BOLT, Gang, 6' Harrow (15/16"-12x32-1/8")	4	-	2
-	111771	BOLT, Gang, 7' Harrow (15/16"-12x39-3/8")	-	4	-
2	111772	WASHER, End)			
3	111773	LOCK, Strap) Gang Bolt	4	4	2
4	111774	NUT, 15/16" - 12 Sq)			
5	107653	BUMPER) Gang Bolt.	4	4	2
6	111777	SPACER, Disc)	8	12	4
7	111781	DISC, 16" Dia., Plain	AR	24	-
-	111782	DISC, 18" Dia., Plain	AR	-	-
-	110967	DISC, 18" Dia., Notched	AR	-	10
8	112707	CAP, Bearing	16	16	8
9	111778	SPOOL, Bearing	8	8	4
10		FITTING, Lube, 1/8" - 27 x 3/4" Str	16	16	8
11		BOLT, 7/16" - 20 x 5" Carr)			
12		LOCKWASHER, 7/16") Caps to Hanger	16	16	8
13		NUT, 7/16" - 20 Hex.)			
		* Rear Gangs - Front Gangs Group 2-9			

Harrow

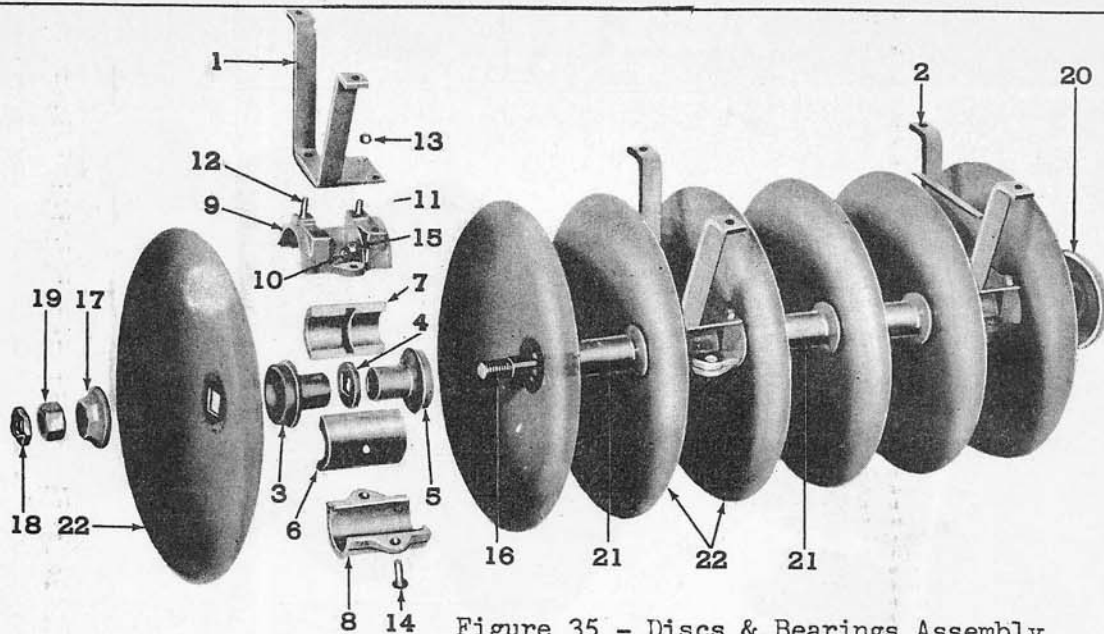


Figure 35 - Discs & Bearings Assembly

FIG.	PART NO.	NAME AND DESCRIPTION	QTY. REQ.
35		GROUP 2-7 - DISC AND BEARING ASSEMBLY - Series "H" Models 11-153 thru 167 (Pull Type)	
1	113093	HANGER, Bearing (WA)	12
-		BOLT, 1/2" - 13 x 1-1/2" Hex)	34
-		BOLT, 1/2" - 13 x 1-3/4" Hex) Hangers to Frames	6
-		NUT, 1/2" - 13 Elastic Stop)	40
3	113122	SPOOL, Bearing (Thrust Half)	12
4	113123	RING, Thrust	12
5	113124	SPOOL, Bearing (Non-Thrust Half)	12
6	113125	BEARING, Top (Wood)	12
7	110432	BEARING, Bottom (Wood)	12
8	113127	CAP, Bearing, Lower	12
9	113126	CAP, Bearing, Upper	12
10		FITTING, 1/8" - 27 x 1-1/4" Str Lube - Upper Cap	12
11		BOLT, 7/16" - 20 x 1-1/2" Sq)	24
12		BOLT, 7/16" - 20 x 2 Sq.) Caps to Hangers	24
13		NUT, 7/16" - 20 Elastic Stop)	48
14		BOLT, 7/16" - 20 x 1-1/2" Carr) Upper to Lower Cap	18
15		NUT, 7/16" - 20 Elastic Stop)	
-	113160	SCRAPER, Bearing, Rear	6
-		BOLT, 7/16" - 20 x 1-3/4" Carr. - Scrapers	6
16	113142	BOLT, Gang, 9' (1-1/8" Sq) (153-157)	4
-	113143	BOLT, Gang, 10' (1-1/8" Sq) (158-162)	4
-	113144	BOLT, Gang, 11' (1-1/8" Sq) (163-167)	4
17	113128	WASHER	
18	113052	NUT, 1-1/8" - 7 Pal.) Gang Bolt	4
19	113163	NUT, 1-5/32" - 7 Hex)	
20	113121	BUMPER	4
21	115070	SPACER, Disc	AR
22	113162	DISC, 16" Plain (1-3/16" Sq Hole)	AR
-	119931	DISC, 18" Plain (1-3/16" Sq Hole)	AR
-	111049	DISC, 20" Plain (1-3/16" Sq Hole)	AR
-	113161	DISC, 18" Notched (1-3/16" Sq Hole)	AR
-	113657	DISC, 20" Notched (1-3/16" Sq Hole)	AR

Harrow

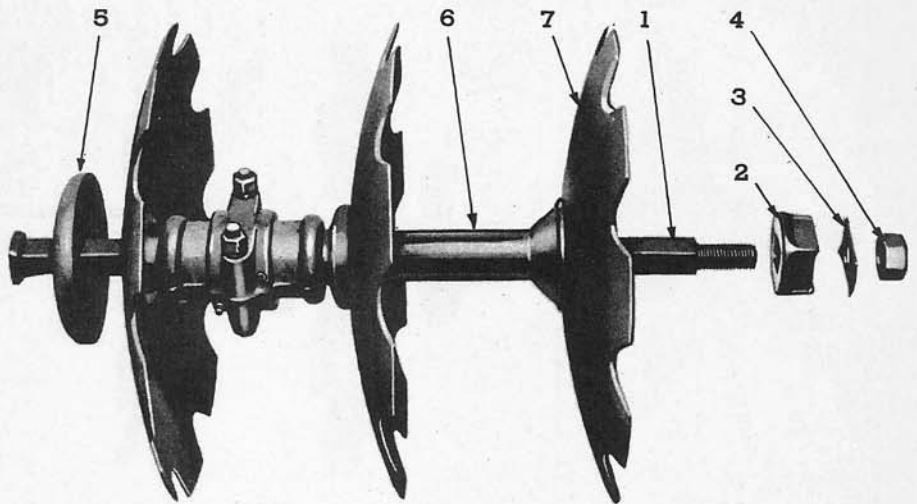
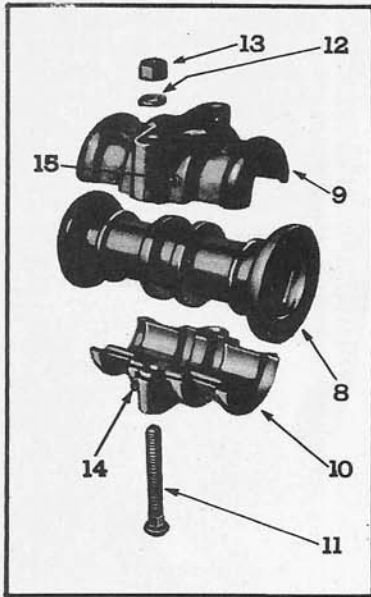


Figure 36 - Disc and Bearing Assemblies

FIG.	PART NO.	NAME AND DESCRIPTION	QTY. REQ.	
36		GROUP 2-8 - DISC AND BEARING ASSEMBLIES - REVERSIBLE BUSH AND BOG	11-140	11-141
			11-34	11-142
1	110945	BOLT, Gang (1-1/8" - 7 x 31-7/8" Sq)	2	2
2	110947	WASHER)		
3	110948	LOCK) Gang Bolt	2	2
4		NUT, 1-1/8" - 7 Hex)		
5	110946	BUMPER	2	2
6	111046	SPACER, Disc	2	2
7	113657	DISC, 20" Notched (11-34,140)	8	8
7	110950	DISC, 22" Notched (11-36,141)	8	8
-	112627	DISC, 24" Notched (11-142)	-	8
8	111044*	SPOOL, Bearing	4	-
8	110968**	SPOOL, Bearing	4	-
-	112272	SPOOL, Bearing	-	4
9	111042*	CAP, Upper Bearing	4	-
9	110969**	CAP, Upper Bearing	4	-
10	111043*	CAP, Lower Bearing	4	-
10	110990**	CAP, Lower Bearing	4	-
-	112273	CAP, Bearing, Upper & Lower	-	8
11		BOLT, 5/8" - 11 x 6" Hex)		
12		LOCKWASHER, 5/8") Upper to Lower Cap .	8	8
13		NUT, 5/8" - 11 Hex.)		
14		FITTING, Lube - 1/8" - 27 x 7/8", 90°	2	8
15		FITTING, Lube - 1/8" - 27 x 1-1/32", 45°	2	-

* Prior to (11-34 Serial No. 5760
** After (11-36 Serial No. 3268

Harrow

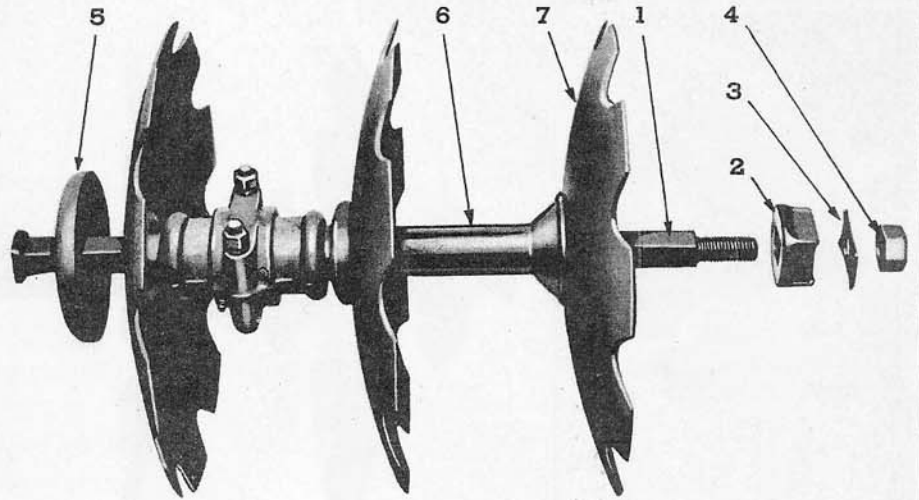
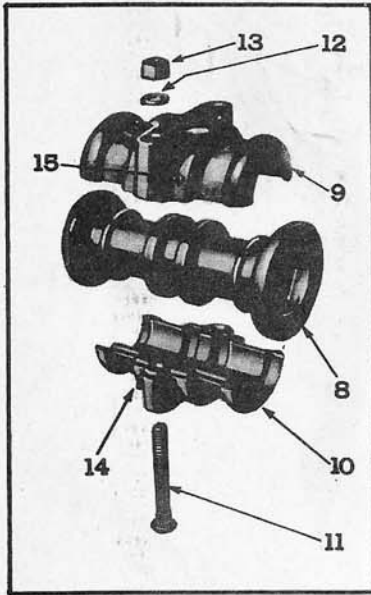


Figure 37 - Disc and Bearing Assemblies

FIG.	PART NO.	NAME AND DESCRIPTION	QTY. REQ.		
			111-120	11-135* 11-139*	11-151
37		GROUP 2-9A - DISC AND BEARING ASSEMBLIES	111-120 111-122 111-124	11-135* 11-139*	11-151
1	110945	BOLT, Gang (1-1/8" - 7 x 31-7/8" Sq) . .	2	2	4
2	110947	WASHER			
3	110948	LOCK	2	2	4
4		NUT, 1-1/8" - 7" Hex)			
-	112590	BUMPER	2	1	-
5	110946	BUMPER	-	2	4
6	111046	SPACER, Disc	2	2	4
7	113657	DISC, 20" Notched (111-120)	-	8	16
7	110950	DISC, 22" Notched (111-122)	8	-	-
7	112627	DISC, 24" Notched (111-124)	8	-	-
8	110968	SPOOL, Bearing	4	-	-
-	111044	SPOOL, Bearing	-	4	8
9	111042	CAP, Bearing, Upper	-	4	8
-	110969	CAP, Bearing, Upper	4	-	-
10	111043	CAP, Bearing, Lower	-	4	8
--	110990	CAP, Bearing, Lower	4	-	-
11		BOLT, 5/8" - 18 x 5 Carr)			
12		LOCKWASHER, 5/8")Upr to Lwr Cap	8	8	16
13		NUT, 5/8" - 18 Hex.)			
14		FITTING, Lube - 1/8" - 27 x 7/8", 90°	2	-	-
15		FITTING, Lube - 1/8" - 27 x 1-3/8", 67-1/2°	2	4	8
		*Front Gangs for rear gangs see Group 2-6			

Harrow

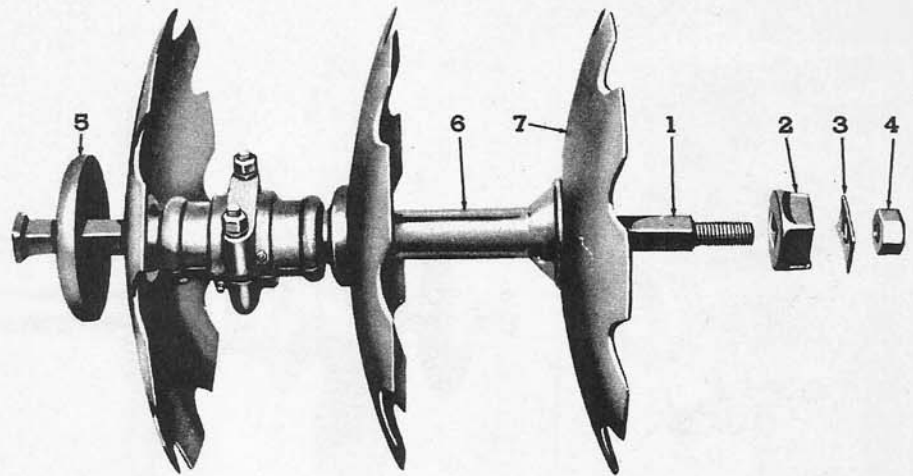
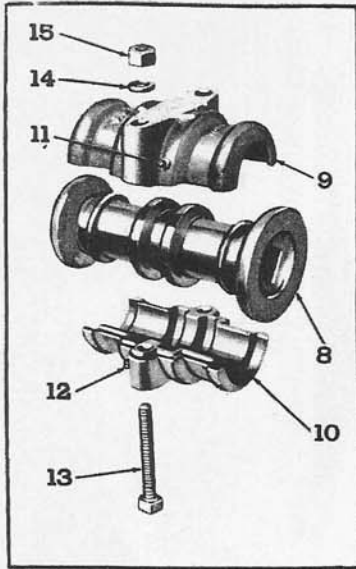


Figure 37A - Discs Fold-Over

FIG.	PART NO.	NAME AND DESCRIPTION	QUANTITY REQUIRED			
37A		GROUP 2-9B - DISC & BEARING ASSY'S FOR FOLD-OVER HARROWS	11-212	11-213	11-214	11-215
-	111770	BOLT, Gang 6Ft(15/16-12x32-1/8 Rd)	2	-	-	-
-	111771	BOLT, Gang 7Ft(15/16-12x39-3/8 Rd)	-	-	2	-
1	110945	BOLT, Gang 6Ft(1-1/8-7x31-7/8 Sq.)	2	4	-	-
-	113362	BOLT, Gang 7Ft(1-1/8-7x41 Sq.) . .	-	-	2	4
2	110947	WASHER	2	4	2	4
-	111772	WASHER, Rear	2	-	2	-
3	110948	LOCK	2	4	2	4
-	111773	LOCK, Rear	2	-	2	-
4		NUT, 1-1/8 - 7 Hex	2	4	2	4
-	111774	NUT, 15/16 - 12	2	-	2	-
-	107653	BUMPER, Rear	2	-	2	-
5	110946	BUMPER, Front	2	4	2	4
6	111046	SPACER, Disc - Front	2	4	4	8
-	111777	SPACER, Disc - Rear	4	-	6	-
-	110967	DISC, 18" Notched - Rear	10	-	12	-
7	113657	DISC, 20" Notched	8	16	10	20
-	111778	SPOOL, Bearing - Rear	4	-	4	-
8	111044	SPOOL, Bearing - Front	4	8	4	8
-	112707	CAP, Bearing	8	-	8	-
9	111042	CAP, Upper Bearing	4	8	4	8
10	111043	CAP, Lower Bearing	4	8	4	8
11		FITTING, Lube, 1/8-27x1-1/32, 45° Cap	4	8	4	8
12		FITTING, Lube, 1/8-27x3/4 Str - Cap	8	-	8	-
13		BOLT, 5/8-11x5-1/2 Sq)				
-		WASHER, 5/8 Flat) Upper to	8	16	8	16
14		LOCKWASHER, 5/8) Lower Cap				
15		NUT, 5/8 - 11 Hex.)				

Harrow

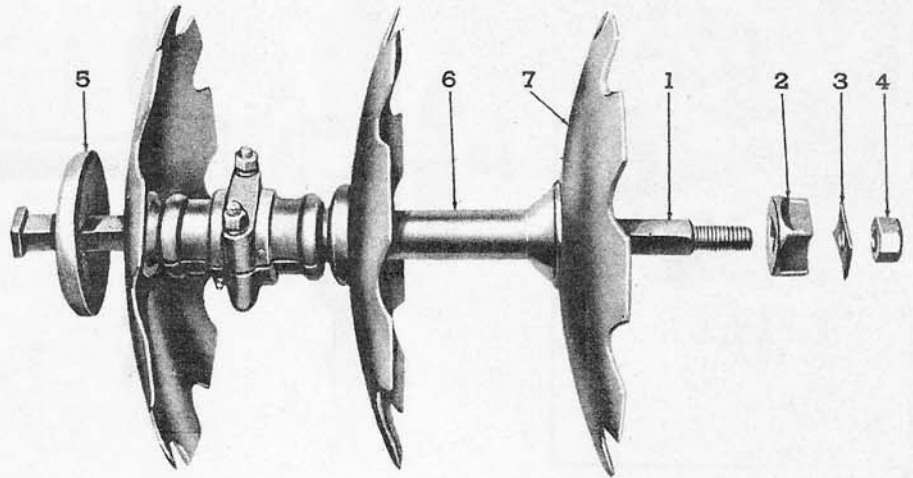
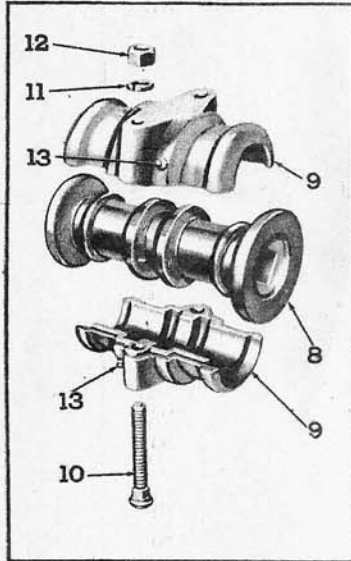


Figure 37B - Discs - Bush & Bog Harrows

FIG.	PART NO.	NAME AND DESCRIPTION	QTY. REQ.
37B		GROUP 2-9C - DISC AND BEARING ASSEMBLIES	11-221
		BUSH AND BOG HARROWS	11-222
			11-223
1	113362	BOLT, Gang (1-1/8" - 7 x 41 Sq)	2
2	110947	WASHER)	
3	110948	LOCK) Gang Bolt	2
4		NUT, 1-1/8" - 7 Hex)	
5	110946	BUMPER	2
6	111046	SPACER, Disc	4
7	113657	DISC, 20" Notched (11-221)	10
-	110950	DISC, 22" Notched (11-222)	10
-	112627	DISC, 24" Notched (11-223)	10
8	112272	SPOOL, Bearing	4
9	112273	CAP, Bearing, Upper & Lower	8
10		BOLT, 5/8" - 11 x 6-1/2 Carr)	
11		LOCKWASHER, 5/8") Upper to Lower Cap	8
12		NUT, 5/8" - 11 Hex)	
13		FITTING, Lube - 1/8" - 27 x 3/4 Str.	8

Harrow

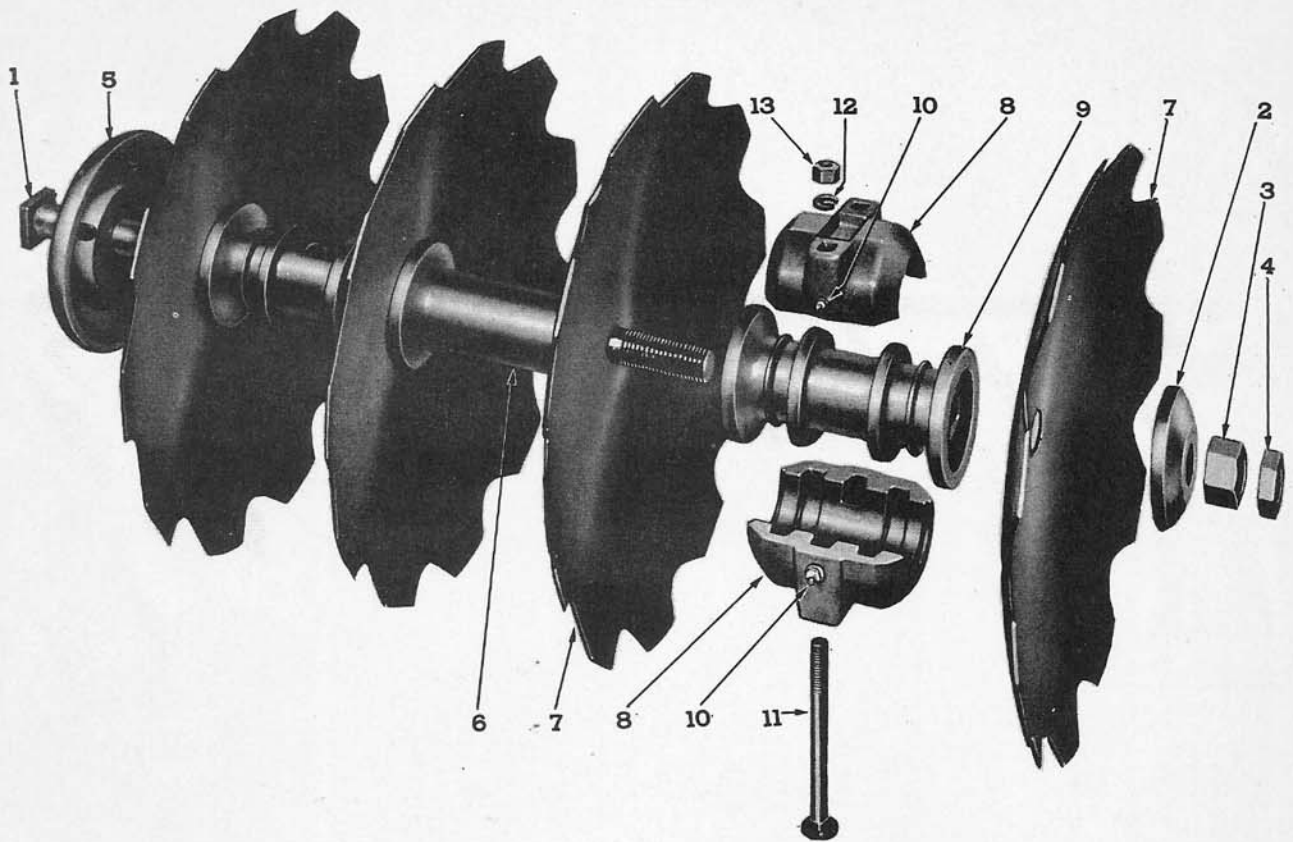


Figure 38 - Disc and Bearing Assemblies

FIG.	PART NO.	NAME AND DESCRIPTION	QTY. REQ.
38		GROUP 2-10 - DISC AND BEARING ASSEMBLIES	11-125
		BUSH AND BOG (Lift Type)	11-126
			11-127
1	112589	BOLT, Gang (1-3/8" - 6 x 32-3/8" Rd)	2
2	112594	WASHER	
3	112595	NUT, 1-3/8" - 6 Hex) Gang Bolt	2
4	112596	NUT, 1-3/8" - 6 Jam)	
5	112590	BUMPER	2
6	112593	SPACER, Disc	2
-	112097	DISC, 20" Notched (11-125)	8
7	112098	DISC, 22" Notched (11-126)	8
-	112099	DISC, 24" Notched (11-127)	8
8	112592	CAP, Bearing	8
9	112591	SPOOL, Bearing	4
10		FITTING, Lube, 1/8" - 27 x 3/4" Str.	8
11		BOLT, 5/8" - 11 x 6-1/2" Carr)	
12		LOCKWASHER, 5/8") Caps to Frame	8
13		NUT, 5/8" - 11 Hex.)	

Harrow

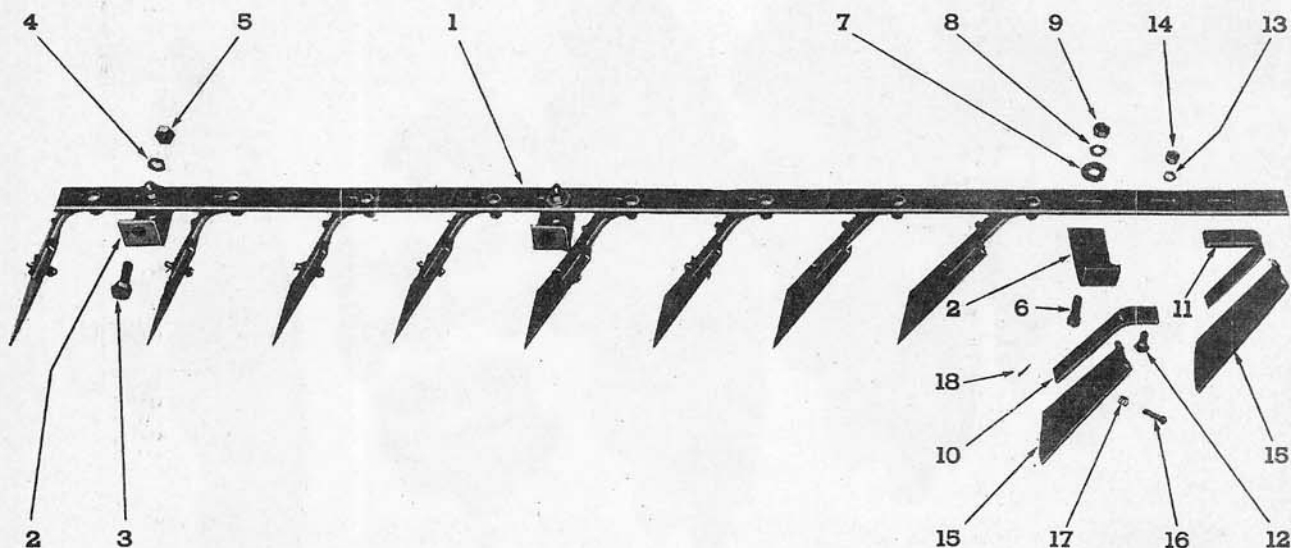


Figure 39 - Scraper Assembly

FIG.	PART NO.	NAME AND DESCRIPTION	QTY.	REQ.
39		GROUP 3-1 SCRAPER ASSEMBLIES SERIES "A" (LIFT TYPE) SINGLE DISC	11-1 11-2	11-3
-	NLS	RAIL, Disc Scraper, Right	1	1
1	NLS	RAIL, Disc Scraper, Left	1	1
2	110061	BRACKET, Disc Scraper Angle to Crossmember . .	6	8
3		BOLT, 1/2 - 13 x 1-1/2 Hex Hd) Bracket		
4		LOCKWASHER, 1/2) to	6	8
5		NUT, 1/2 - 13 Hex) Crossmember		
6		BOLT, 7/16 - 14 x 1-1/2 Hex Hd)		
7		WASHER, 7/16 Flat (U.S.)) Bracket		
8		LOCKWASHER, 7/16) to Frame	6	8
9		NUT, 7/16 - 14 Hex)		
10	110063	ARM, Scraper Blade	18	22
11	110068	ARM, Scraper Blade (End)	2	2
12		BOLT, 1/2 - 13 x 1-1/2 Hex Hd)		
13		LOCKWASHER, 1/2) Arm to Frame	20	24
14		NUT, 1/2 - 13 Hex)		
-	110064	BLADE, Scraper, Right	10	12
15	110310	BLADE, Scraper, Left	10	12
16		PIN, Retaining 5/16 x 1-5/16 Rd. Hd. Drilled .	20	24
17	110066	SPRING, Blade Tension	20	24
18		COTTER PIN, 1/8 x 1-1/2	20	24

Harrow

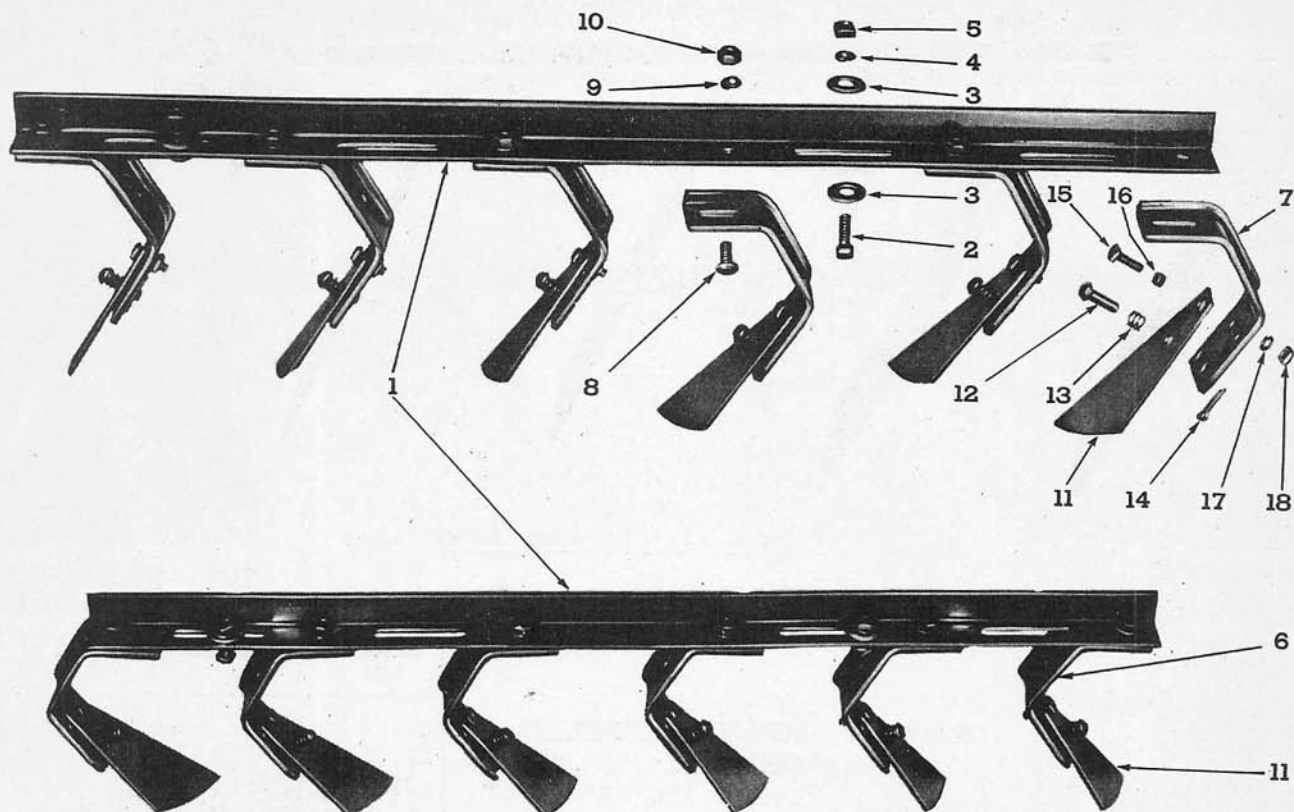


Figure 40 - Scraper Assemblies

FIG.	PART NO.	NAME AND DESCRIPTION	QTY.	REQ.
40		GROUP 3-2 SCRAPER ASSEMBLIES - SERIES "B"	11-5	11-6
			11-7	11-8
1	NLS	RAIL, Scraper - 6' & 7'	4	4
2		BOLT, 3/8 - 24 x 1-1/4 Hex Hd)	8	8
3		WASHER, 3/8 Flat (U.S.)) Rail to	16	16
4		LOCKWASHER, 3/8) Frame	8	8
5		NUT, 3/8 - 24 Hex)	8	8
6	110192	BRACKET, Scraper, Right Front & Left Rear . .	10	12
7	NLS	BRACKET, Scraper, Left Front & Right Rear . .	10	12
8		BOLT, 7/16 - 14 x 1" Carr.)		
9		LOCKWASHER, 7/16) Bracket to Rail	20	24
10		NUT, 7/16 - 14 Hex)		
11	NLS	BLADE, Scraper	20	24
12		PIN, 3/8 x 1-1/4 Rd. Hd. Drilled) Blade		
13	110196	SPRING) to	20	24
14		COTTER PIN, 3/16 x 1) Bracket		
15		BOLT, 5/16 - 24 x 1 Hex Hd)		
16	110197	SPACER) Blade to		
17		LOCKWASHER, 5/16) Bracket	20	24
18		NUT, 5/16 - 24 Hex)		

Harrow

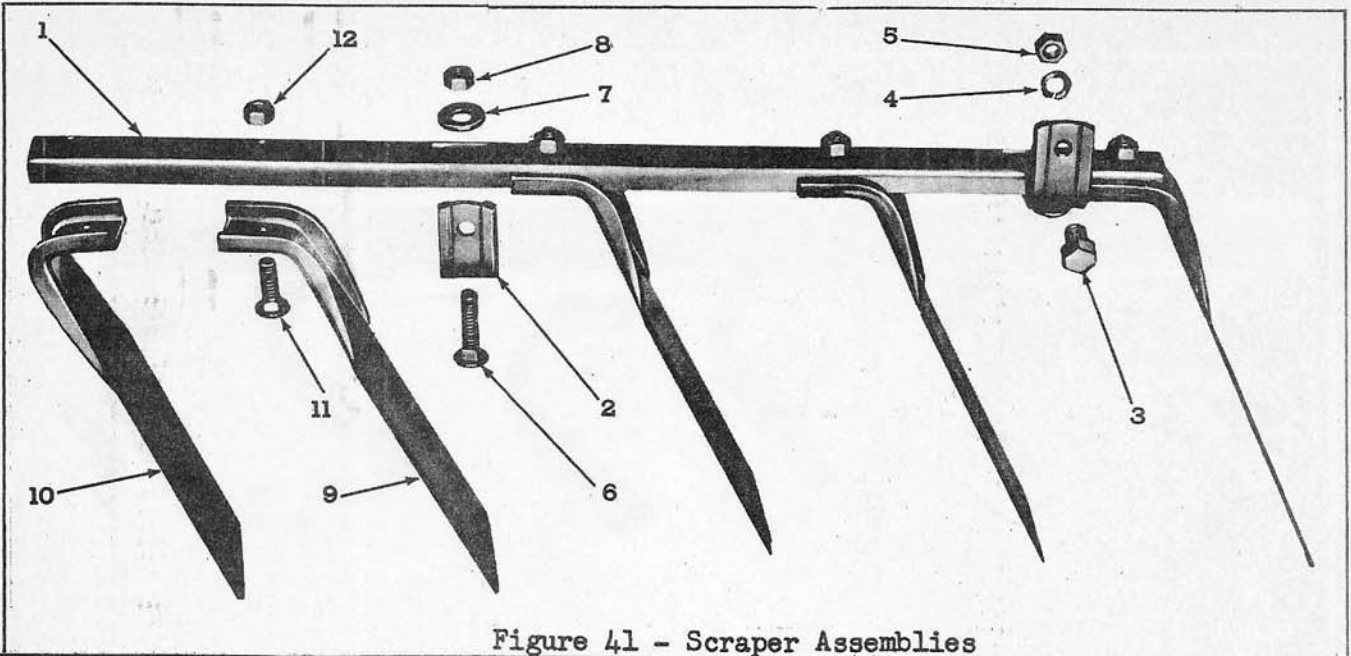


Figure 41 - Scraper Assemblies

FIG.	PART NO.	NAME AND DESCRIPTION	QUANTITY REQUIRED																		
			SERIES "C"			SERIES "D"			SERIES "G"			SERIES "H"									
			11-12, 12B	11-13, 14	11-15	11-59, 60, 60B	11-61, 62	11-63	11-149	11-150	11-153 thru 157	11-158 thru 162	11-163 thru 167								
41		GROUP 3-3 SCRAPER ASSEMBLIES SERIES "C", "D", "G", AND "H"																			
-	112493	RAIL, Scraper 5'	8	-	-	-	-	-	-	-	-	-	-	-	-	-	-	-	-	-	-
-	111783	RAIL, Scraper 6'	-	8	-	8	-	8	-	8	-	8	-	-	-	-	-	-	-	-	-
-	111784	RAIL, Scraper 7'	-	-	8	-	8	-	-	-	-	8	-	-	-	-	-	-	-	-	-
1	NLS	RAIL, Scraper 9'	-	-	-	-	-	-	-	-	-	-	4	-	-	-	-	-	-	-	-
-	113593	RAIL, Scraper 10'	-	-	-	-	-	-	-	-	-	-	-	8	-	-	-	-	-	-	-
-	113591	RAIL, Scraper 11'	-	-	-	-	-	-	-	-	-	-	-	-	-	-	-	-	8	-	-
-	111785 #	CAP, Scraper Rail	AR	AR	AR	-	-	-	-	-	-	-	-	-	-	-	-	-	-	-	-
2	106275 #	BRACKET, Scraper Rail	8	8	8	-	-	-	-	-	-	-	-	-	-	-	-	-	-	-	-
-	111455	HANGER, Scraper Rail	-	-	-	8	8	8	-	-	-	-	-	-	-	-	-	-	-	-	-
-	113044	HANGER, Scraper Rail	-	-	-	-	-	-	8	8	8	8	8	8	8	8	8	8	8	8	8
3		BOLT, 7/16 x 20 x 1 Carr.) Hanger																			
4		LOCKWASHER, 7/16) to																			
5		NUT, 7/16 - 20 Hex) Frame	8	8	8	8	8	8	8	8	8	8	8	8	8	8	8	8	8	8	8
6		BOLT, 7/16 - 20 x 2 Carr.) Rail																			
7		WASHER, 7/16 Flat) to																			
8		NUT, 7/16 - 20 Hex) Hanger	8	8	8	8	8	8	8	8	8	8	8	8	8	8	8	8	8	8	8
9	111786	BLADE, Reg. Right	8	10	12	8	10	8	8	10	12	12	12	12	12	12	12	12	12	12	12
-	111787	BLADE, Reg. Left	8	10	12	8	10	8	8	10	12	12	12	12	12	12	12	12	12	12	12
10	110361	BLADE, Spec. Right	2	2	2	2	2	2	2	2	2	2	2	2	2	2	2	2	2	2	2
-	111789	BLADE, Spec. Left	2	2	2	2	2	2	2	2	2	2	2	2	2	2	2	2	2	2	2
11		BOLT, 7/16 - 20 x 1-1/2 Carr.) Blade																			
12		NUT, 7/16 - 20 Hex)to Rail	20	24	28	20	24	20	20	24	28	28	28	28	28	28	28	28	28	28	28
		# When replacing prior bracket or hangers 106275 & cap 111785 must be used in sets.																			

Harrow

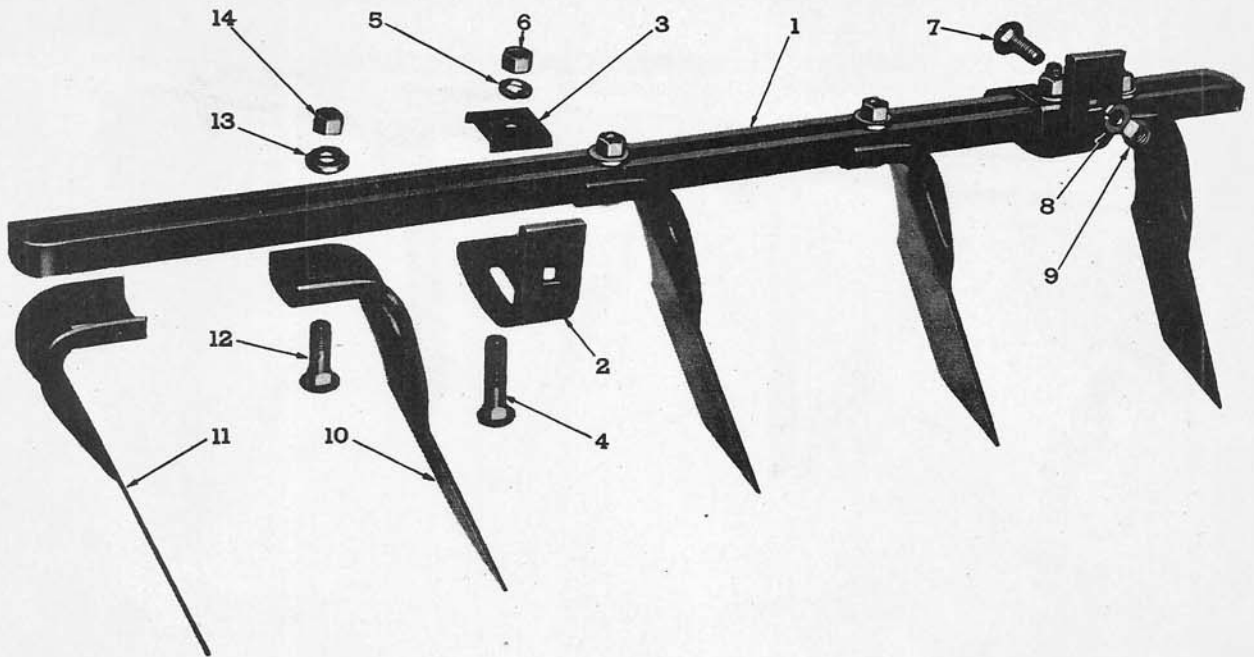


Figure 42 - Scraper Sets

FIG.	PART NO.	NAME AND DESCRIPTION	QTY. REQ.
42		<u>GROUP 3-4 SCRAPER SETS - SERIES "E" AND "F"</u>	11-108
1	112493	RAIL, Scraper 5'	8
2	106275	BRACKET, Scraper Rail	8
3	111785	CAP, Scraper Rail	8
4	302327-S8	BOLT, 7/16 - 14 x 2 Carr.)	
5	34808-S7	LOCKWASHER, 7/16) Bracket & Cap to Rail	8
6	34670-S8	NUT, 7/16 - 14 Hex)	
7	302365-S8	BOLT, 7/16 - 14 x 1-1/4 Carr.)	
8	34808-S7	LOCKWASHER, 7/16) Bracket to Hangers	8
9	34670-S8	NUT, 7/16 - 14 Hex)	
-	111786	BLADE, Scraper, Regular, Right	6
10	111787	BLADE, Scraper, Regular, Left	6
11	111788	BLADE, Scraper, Special, Right	2
-	111789	BLADE, Scraper, Special, Left	2
12	302323-S8	BOLT, 7/16 - 14 x 1-1/2 Carr.)	
13	131033	WASHER, 7/16 Flat (U.S.)) Blade to Scraper Rail	16
14	34670-S8	NUT, 7/16 - 14 Hex)	

Harrow

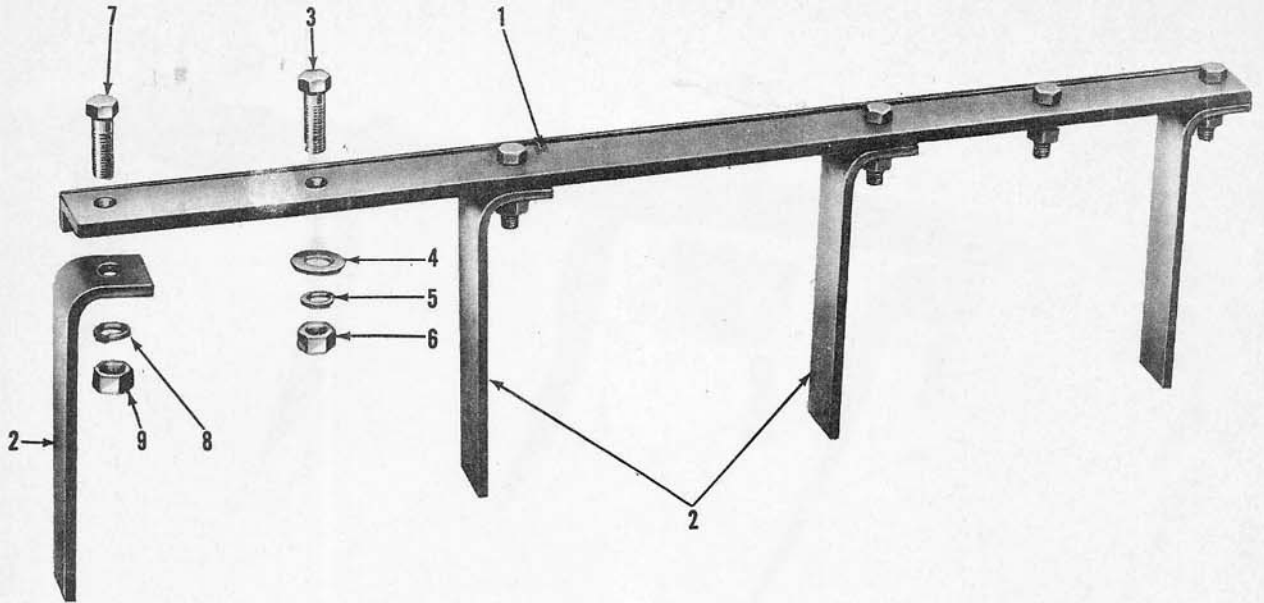


Figure 43 - Scraper Sets

FIG.	PART NO.	NAME AND DESCRIPTION	QTY. REQ.	
43		<u>GROUP 3-5 SCRAPER SETS - FOLD-OVER HARROWS</u>	11-136	11-152
		Model 11-136 For use on Models 11-135 thru 11-139		
		Model 11-152 For use on Model 11-151		
1	112907	FRAME, Scraper, Front (Welded Assembly) . . .	2	4
-	NLS	FRAME, Scraper, Rear (Welded Assembly)	2	-
2	112903	BLADE, Scraper	18	16
3		BOLT, 7/16 - 14 x 1-1/2 Hex Hd)		
4		WASHER, 7/16 - Flat) Frames to Harrow	8	8
5		LOCKWASHER, 7/16)		
6		NUT, 7/16 - 14 Hex)		
7		BOLT, 7/16 - 14 x 1-1/2 Hex Hd)		
8		LOCKWASHER, 7/16) Blades to Scraper	18	16
9		NUT, 7/16 - 14 Hex) Frames		

Harrow

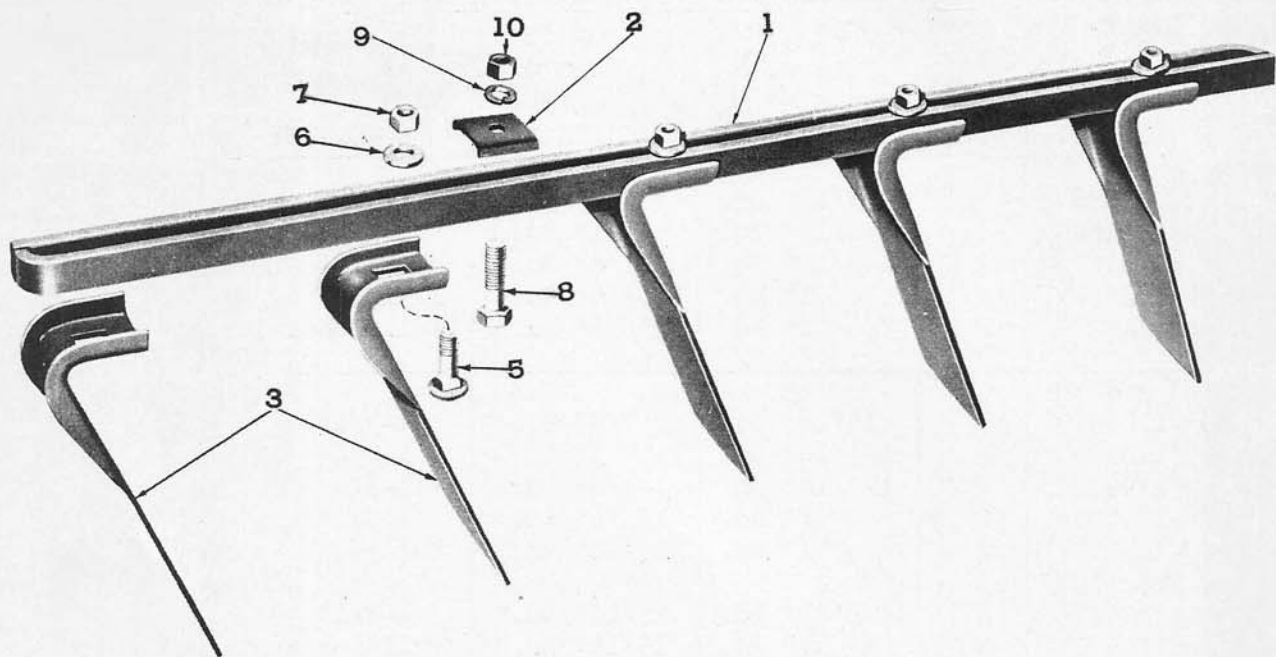


Figure 44 - Scrapers - Fold-Over Harrow

FIG.	PART NO.	NAME AND DESCRIPTION	QTY. REQ.			
			11-217	11-218	11-219	11-220
44		<u>GROUP 3-6 SCRAPER SETS FOLD-OVER HARROWS</u>				
		11-217 Scraper Set for use on Model 11-212				
		11-218 Scraper Set for use on Model 11-213				
		11-219 Scraper Set for use on Models 11-214, 215				
		11-220 Scraper Set for use on Model 11-216				
1	111783	RAIL, Scraper 6'	8	8	-	-
-	111784	RAIL, Scraper 7'	-	-	8	8
2	111785	CAP, Scraper Rail	8	8	8	8
-	111789	BLADE, Scraper, Left	9	8	11	10
3	111788	BLADE, Scraper, Right	9	8	11	10
5		BOLT, 7/16 - 1/4 x 1-1/2 Carr)	18	16	22	20
6		WASHER, 7/16 Flat) Scrapers to Rail	18	16	22	20
7		NUT, 7/16 - 1/4 Hex)	18	16	22	20
8		BOLT, 7/16 - 1/4 x 2 Hex Hd)				
9		LOCKWASHER, 7/16) Scraper to Frame	-	8	8	8
10		NUT, 7/16 - 1/4 Hex)				

Harrow

GROUP 4 DISC REFERENCE CHART

DISC SIZE	PART NO	TYPE	CENTER HOLE SIZE	GANG BOLT SIZE	CONCAVITY	THICKNESS AND GAUGE
16"	110588	P	15/16" Sq.	7/8" Sq.	1-1/2"	.120 (11 Ga.)
	110164	P	1-1/16" Sq.	1" Sq.	1-1/2"	.109 (12 Ga.)
	113162	P	1-3/16" Sq.	1-1/8" Sq.	1-9/16"	.109 (12 Ga.)
	111781	P	1" Rd.	15/16" Rd.	1-11/32"	.120 (11 Ga.)
	114871	P	1" Rd.	15/16" Rd.	Full-Concavity	.120 (11 Ga.)
18"	110589	P	15/16" Sq.	7/8" Sq.	1-3/4"	.120 (11 Ga.)
	110166	P	1-1/16" Sq.	1" Sq.	1-3/4"	.120 (11 Ga.)
	119931	P	1-3/16" Sq.	1-1/8" Sq.	1-3/4"	.120 (11 Ga.)
	111782	P	1" Rd.	15/16" Rd.	1-3/4"	.120 (11 Ga.)
	114872	P	1" Rd.	15/16" Rd.	Full-Concavity	.120 (11 Ga.)
	110967	N	1" Rd.	15/16" Rd.	1-3/4"	.120 (11 Ga.)
	114870	N	1" Rd.	15/16" Rd.	Full-Concavity	.120 (11 Ga.)
	119912	N	1-1/16" Sq.	7/8" Sq.	1-3/4"	.134 (10 Ga.)
	113161	N	1-3/16" Sq.	1-1/8" Sq.	1-3/4"	.120 (11 Ga.)
	20"	112517	P	1" Rd.	15/16" Rd.	2-1/4"
114822		P	1" Rd.	15/16" Rd.	Full-Concavity	.148 (9 Ga.)
112483		N	1" Rd.	15/16" Rd.	2-1/4"	.148 (9 Ga.)
111997		N	1" Rd.	15/16" Rd.	Full-Concavity	.148 (9 Ga.)
113657		N	1-3/16" Sq.	1-1/8" Sq.	2"	.148 (9 Ga.)
111049		P	1-3/16" Sq.	1-1/8" Sq.	2"	.134 (10 Ga.)
112097		N	1-7/16" Rd.	1-3/8" Rd.	2"	.148 (9 Ga.)
22"	110950	N	1-3/16" Sq.	1-1/8" Sq.	2-1/2"	.165 (8 Ga.)
	112098	N	1-7/16" Rd.	1-3/8" Rd.	2-1/2"	.165 (8 Ga.)
24"	112627	N	1-3/16" Sq.	1-1/8" Sq.	3-1/4"	3/16"
	112099	N	1-7/16" Rd.	1-3/8" Rd.	3-1/4"	3/16"

N - Notched
P - Plain

Harrow

NUMERICAL INDEX

PART NO.	PART NAME	PAGE NO.	PART NO.	PART NAME	PAGE NO.
9N-508-B	Anchor	40	110211	Plate	25
9N-573-B	Chain	40	110223	Spindle	25
2N-608	Linch Pin & Ring	23,39,40	110226	Rod	25
100529	Washer	64	110227	Rod	25
103028	Spacer	37	110229	Crank	23
103283	Pin	33,45	110247	Hitch	23
103497	Pin	33,51	110255	Drawbar	25
103880	Pin	21	110272	Plate & Tube	23
105107	Bolt	39	110310	Blade	72
106275	Bracket	74,75	110329	Jack	49
107653	Bumper	63,64,65,69	110360	Clevis	27
109422	Decal	51	110361	Blade	74
110016	Lock	21	110383	Yoke	27
110020	Seat	21	110386	Post	27
110021	Plate	21	110396	Strap	27
110022	Rod	21	110398	Bushing	27
110023	Bolt	21	110400	Adapter	61,62
110026	Spring	21	110402	Bar	31
110031	Bolt	58	110405	Arm	31
110032	Bumper	58	110409	Brace	29
110033	Spacer	58,60	110413	Brace	27
110037	Spool	58	110423	Crossmember	31
110038	Bearing	58	110428	Plate	61
110039	Cap	58	110432	Bearing	60,62,66
110044	Washer	58,60,62	110436	Arm	31
110045	Lock	58,60,62	110438	Crossmember	31
110061	Bracket	72	110439	Bushing	27,31,45
110063	Arm	72	110444	Bumper	60,62
110064	Blade	72	110445	Plate	31
110066	Spring	72	110446	Spool	60
110068	Arm	72	110447	Cap	60,62
110099	Bearing	23	110448	Cap	60,62
110101	Bar & Chain	23	110449	Cap	61
110114	Strap	37	110454	Bolt	58
110115	Bracket	37,45	110477	Screw	33
110121	Frame	23	110503	Brace	58
110132	Lifter	23	110514	Rack	21
110134	Drawbar	25	110523	Yoke	27
110154	Plate	25	110525	Drawbar	27
110157	Bolt	59	110526	Shoe	27
110158	Bolt	59	110534	Filler	27
110159	Bumper	59	110538	Frame	31
110160	Spool	59	110559	Hanger	29,34
110163	Spacer	59	110574	Crossmember	31
110164	Disc	59,78	110582	Bolt	60
110166	Disc	59,78	110583	Bolt	60
110168	Washer	59	110584	Bolt	60
110184	Plate	25	110585	Bolt	60
110192	Bracket	73	110586	Bolt	60
110196	Spring	73	110587	Bolt	60
110197	Spacer	73	110588	Disc	58,60,62,78

Harrow

NUMERICAL INDEX (Cont'd)

PART NO.	PART NAME	PAGE NO.	PART NO.	PART NAME	PAGE NO.
110589	Disc	58,60,62,78	111773	Lock	59,63,64,65,69
110594	Cap	61,62	111774	Nut	63,65,69
110596	Reach	29	111777	Spacer	63,65,69
110619	Guide	29	111778	Spool	63,65,69
110622	Channel	31	111781	Disc	63,65,78
110623	Clevis	29	111782	Disc	63,64,65,78
110625	Hanger	29	111783	Rail	74,77
110627	Hanger	29	111784	Rail	74,77
110831	Spacer	33	111785	Cap	74,75,77
110922	Bracket	51	111786	Blade	74,75
110945	Bolt	67,68,69	111787	Blade	74,75
110946	Bumper	67,68,69,70	111788	Blade	75,77
110947	Washer	67,68,69,70	111789	Blade	74,75,77
110948	Lock	67,68,69,70	111792	Hanger	63
110950	Disc	67,68,70	111793	Hanger	63
110952	Lock	51	111810	Bar	37
110950	Disc	78	111813	Bracket	37
110967	Disc	63,64,65,69,78	111814	Yoke	37
110968	Spool	67,68	111822	Housing	37
110969	Cap	67,68	111834	Spacer	37
110990	Cap	67,68	111856	Hairpin	49
111042	Cap	67,68,69	111997	Disc	78
111043	Cap	67,68,69	112091	Guide	51
111044	Spool	67,68,69	112097	Disc	71,78
111046	Spacer	67,68,69,70	112098	Disc	71,78
111049	Disc	66,78	112099	Disc	71,78
111085	Spacer	27	112160	Stirrup & Brace	51
111442	Hanger	34	112163	Stirrup & Brace	51
111447	Spacer	62	112230	Tongue	37
111450	Bolt	62	112241	Brace	51
111455	Hanger	74	112242	Spacer	51,52
111457	Spool	62	112257	Gang	51
111476	Cap	62	112269	Arm	51
111498	Spool	64	112271	Arm	51
111499	Cap	64	112272	Spool	67,70
111501	Cap	64	112273	Cap	67,70
111518	Bolt	62	112342	Lug	43
111519	Bushing	33,45	112343	Stabilizer	39
111528	Eye Bolt	33	112346	Tongue	39
111530	Spacer	33	112356	Strap	43
111610	Cap	58	112358	Strap	43
111611	Cap	58	112359	Strap	43
111612	Cap	58	112360	Strap	43
111613	Cap	58	112361	Strap	43
111731	Bearing	33	112364	Bar	39
111737	Bolt	62	112365	Bar	39
111738	Bolt	62	112375	Hanger	43
111747	Spool	62	112380	Plate	43
111770	Bolt	63,65,69	112382	Pin	23,39,43
111771	Bolt	63,65,69	112383	Pin	39
111772	Washer	63,65,69	112387	Strap	43

Harrow

NUMERICAL INDEX (Cont'd)

PART NO.	PART NAME	PAGE NO.	PART NO.	PART NAME	PAGE NO.
112404	Knuckle	37	112783	Plate	37
112405	Yoke Assy	37	112792	Plate	37
112406	Yoke	37	112793	Strut	37
112407	Knuckle	37	112794	Strut	37
112408	Lock	37	112795	Strut	37
112422	Pin	37	112796	Strut	37
112423	Ring	37	112797	Strut	37
112440	Link	43	112806	Link	37
112441	Strap	43	112807	Strut	37
112443	Link	40	112808	Strut	37
112446	Link	40	112830	Bracket	54
112447	Link	43	112903	Blade	76
112448	Pulley	39	112907	Frame	76
112450	Stop	40	112914	Brace	54
112459	Pin	23,39,40	112915	Hinge	54
112460	Yoke	40	112916	Hinge	54
112462	Guide	40	112917	Bracket	51,52,54
112463	Guide	39	112936	Strap	54
112466	Bushing	39	112942	Bar	54,56
112483	Disc	63,64,78	112977	Bracket	45
112485	Drawbar	43	112982	Shaft	45
112489	Bar	39	112983	Wheel	45
112490	Drawbar	43	112987	Yoke	45
112491	Bar	39	112991	Angle	45
112493	Rail	74,75	113005	Angle	45
112494	Bolt	63	113008	Angle	45
112496	Sleeve	43	113009	Angle	45
112499	Cradle	43	113018	Retainer	46
112500	Cage	43	113019	Brace	45
112501	Rod	43	113020	Brace	45
112502	Pin	40	113021	Angle	45
112517	Disc	63,64,78	113022	Angle	46
112524	Pin	40	113024	Angle	46
112525	Spring	40	113025	Brace	45
112550	Cam	40	113027	Support	46
112552	Spacer	40	113028	Support	45,46
112586	Pin	51,52,53,54,55	113029	Support	45
112589	Bolt	71	113030	Bushing	45
112590	Bumper	68,71	113031	Washer	45
112591	Spool	71	113032	Lock	45
112592	Cap	71	113033	Pin	45
112593	Spacer	71	113034	Bar	45
112594	Washer	71	113036	Bar	45
112595	Nut	71	113044	Hanger	74
112596	Nut	71	113052	Nut	66
112627	Disc	67,68,70,78	113062	Bushing	49
112691	Guide	39	113073	Retainer	49
112693	Bushing	39	113074	Retainer	49
112694	Support	39	113075	Retainer	49
112707	Cap	63,65,69	113093	Hanger	66
112779	Strut	37	113107	Pin	49

Harrow

NUMERICAL INDEX (Cont'd)

PART NO.	PART NAME	PAGE NO.	PART NO.	PART NAME	PAGE NO.
113108	Carrier	49	113554	Pin	55
113110	Shield	49	113575	Bolt	56
113113	Wheel	49	113591	Rail	74
113114	Sleeve	49	113593	Rail	74
113115	Bearing	49	113657	Disc . . . 66,67,68,69,70,78	
113116	Washer	49	113710	Decal	29,43
113117	Washer	49	113713	Decal 21,23,33,46,49,52,54	
113118	Spindle	49	113734	Block	51
113121	Bumper	66	113735	Saddle	51
113122	Spool	66	113736	Spacer	64
113123	Ring	66	113781	Washer	64
113124	Spool	66	113782	Washer	64
113125	Bearing	66	114822	Disc	78
113126	Cap	66	114870	Disc	78
113127	Cap	66	114871	Disc	78
113128	Washer	66	114872	Disc	78
113142	Bolt	66	114932	Bolt	64
113143	Bolt	66	115070	Spacer	66
113144	Bolt	66	119912	Disc 59,60,62,78	
113160	Scraper	66	119931	Disc 66,78	
113161	Disc	66,78	131010	Pin	37,45
113162	Disc	66,78	131033	Washer	40,75
113163	Nut	66	133548	U-Bolt	43
113338	Spacer	45	143742	Pin	49
113339	Rod	45	148179	Bracket	40
113362	Bolt	69,70	192366	Bearing	27
113497	Strap	56	230044	Pin	40
113514	Support	56	231254	Bracket	40
113519	Bracket	53,55	300090	Retainer	39
113520	Bracket	55	303942	Pin	53,56
113530	Strap	56	354433-S8	Washer	56
113536	Brace	56	378018-S8	Bolt	64
113553	Support	56			

This catalog supersedes: PA-5351-C dated January, 1955; PA-5351-C1 dated December, 1955; PA-6891 Insert dated July, 1958.